



113th Annual Meeting
United States Animal Health Association
and
52nd Annual Conference
American Association of
Veterinary Laboratory Diagnosticians



October 8–14, 2009
Town and Country Hotel
San Diego, California

Officers and Administrative Staff

2009 USAHA Officers

PresidentDonald Hoenig
President-ElectRichard Breitmeyer
First Vice-President..... Steven Halstead
Second Vice-President..... David Marshall
Third Vice-President..... David Meeker
Treasurer.....William Hartmann
Immediate Past President.....James Leafstedt

2009 AAVLD Officers

President David Steffen
President-Elect Gary Anderson
Vice-President.....Craig Carter
Secretary/TreasurerSharon Hietala
Immediate Past President..... Grant Maxie

USAHA Administrative Staff

Ben Richey
Kelly Janicek
Linda Ragland

Office Telephone Number 816-671-1144
Fax Number 816-671-1201
E-mail usaha@usaha.org
Web Page Address..... www.usaha.org
Office Address..... P.O. Box 8805
St. Joseph, MO 64508

AAVLD Administrative Staff

Vanessa Garrison

Office Telephone Number530-754-9719
Fax Number530-752-5680
E-mail secretary-treasurer@aavld.org
Web Page Address..... www.aavld.org
Office Address.....P. O. Box 1770
Davis, CA 95617

Welcome to USAHA's 113th Annual Meeting and AAVLD's 52nd Annual Conference

Announcements

USAHA/AAVLD Headquarters Hotel

Town and Country Hotel, San Diego, California

USAHA/AAVLD Registration

Atlas Foyer

Thursday, October 8	12:00pm-5:00pm
Friday, October 9	8:00am-5:00pm
Saturday, October 10	8:00am-5:00pm
Sunday, October 11	8:00am-5:00pm
Monday, October 12	8:00am-5:00pm
Tuesday, October 13	8:00am-5:00pm
Wednesday, October 14	8:00am-10:00am

Registration Fees

Member Registration at Meeting.....	\$300.00
Non-Members Registration.....	\$450.00
Life Member Registration.....	\$150.00
One Day Registration.....	\$150.00
Two Day Registration.....	\$200.00
Resident or Graduate Student Registration.....	\$125.00
Veterinary Student Registration.....	\$ 0.00
Spouse Registration Fee.....	\$ 75.00
USAHA 2010 Annual Dues.....	\$150.00
AAVLD 2010 Annual Dues.....	\$125.00
AAVLD 2010 Graduate Student or Resident Dues.....	\$ 25.00
AAVLD 2010 Associate Dues.....	\$ 35.00

You must register and have a badge to attend meetings.

AAVLD Exhibits/Posters

Posters in Atlas Foyer

Friday, October 9 - 3:00pm until Sunday, October 11 - 3:00pm

Exhibits in Grand Hall

Saturday, October 10 - 11:00am-1:00pm and 3:00-6:00pm
Sunday, October 11 - 9:45-10:45am and 12:00-2:00pm

Announcements (cont.)

Bulletin Board

The Bulletin Board will be located at Registration Desk in the Atlas Foyer. Please check the Bulletin Board often for last minute changes in the program, time and location of Committee meetings, personal messages, telephone calls and faxes.

Work Room

Terrace Salon One

Thursday through Wednesday, 8:00am-5:00pm

Press Room and Reading Room for Committee Reports

Terrace Salon Two

There will be an area set aside in the Press Room to review Committee Reports.

USDA-APHIS-VS Work Room

Royal Palm 1

Friday-Wednesday

Daily Events

Wednesday, October 7

AAVLD – NAHLN IT Committee – 8:00am-5:00pm; Sunset.

Daily Events

Thursday, October 8

AAVLD – NAHLN IT Committee – 8:00am-12:00pm; Sunset.

AAVLD – Accreditation and Quality Assurance Symposium – 8:00am-5:00pm; Sunrise. (\$15.00 am Accreditation Session, \$40.00 pm QA Session, \$55.00 joint, registration fee required.)

AAVLD – Accreditation Committee – 1:00-5:00pm; Towne, CLOSED SESSION, COMMITTEE MEMBERS ONLY.

USAHA – Scientific Advisory Subcommittee on Johnes – 2:00-4:00pm; Royal Palm Salons 5.

Daily Events

Friday, October 9

AAVLD – Financial Advisory Committee – 7:00-8:00am; Devonshire, CLOSED SESSION, COMMITTEE MEMBERS ONLY.

USAHA – First Conference for Experts on Contagious Equine Metritis – 8:00am-5:00pm; Hampton.

C. L. Davis Diagnostic Pathology of Exotic Pet Animals – 8:00am-5:30pm; Golden West. (\$125.00 Registration Fee Required.).

AAVLD – NAHLN Toxicology Working Group – 8:00-10:00am; Sunrise.

AAVLD – Mycoplasma Mini-Symposium – 8:00am-12:30pm; Royal Palm Salons 3 and 4. (\$55.00 Registration Fee Required).

AAVLD – Publications Committee – 8:00-10:00am; Devonshire.

AAVLD – Accreditation Committee – 8:00am-12:00pm; Towne. CLOSED SESSION, COMMITTEE MEMBERS ONLY.

USAHA – Johnes Working Group – 8:00am-5:00pm; California.

AAVLD – Parasitology Committee – 8:00am-12:00pm; Royal Palm Salons 5 and 6.

AAVLD – Epidemiology Toolbox Workshop – 8:00am-11:00pm; Sunset. (\$25.00 registration fee required).

AAVLD – Epidemiology Committee Meeting – 11:00am – 12:00pm; Sunset (follows workshop).

AAVLD – Laboratory Emergency Management Committee – 10:00am-12:00pm; Sunrise.

AAVLD – Aquaculture Laboratory Network Working Group – 10:00am-2:00pm; Stratford.

USAHA – Executive Committee Luncheon and Meeting – 12:00-5:00pm – Devonshire.

AAVLD – Quality Assurance Committee – 1:00-5:00pm; Sunrise.

ABVT – Annual Meeting – 1:00-2:00pm; Esquire.

AAVLD – Virology Committee – 1:00-4:00pm; Royal Palm Salons 5 and 6.

AAVLD – Subcommittee on Antimicrobial Susceptibility Testing Business Meeting – 1:00-2:00pm; Royal Palm Salons 3 and 4.

AAVLD – Executive Board – 1:00-5:00pm; Towne.

AAVLD – Informatics Committee and NAHLN Information Technology Committee – 1:00-5:00pm; Sunset.

AAVLD – Subcommittee on Bacteriology and Mycology Business Meeting – 2:00-3:00pm; Royal Palm Salons 3 and 4.

AAVLD/AAVCT – Business Meeting and Case Presentations – 2:00-6:00pm; Royal Palm Salon 2.

AAVLD – Posters – 3:00pm; Atlas Foyer.

AAVLD – Enteric Diseases Committee – 3:00-6:00pm; Royal Palm Salons 3 and 4.

AAVLD – Food Safety Committee – 3:00-5:00pm; Esquire.

AAVLD – Laboratory Technology Committee – 4:00-6:00pm; Royal Palm Salons 5 and 6.

AAVLD – Editorial Board, Journal of Veterinary Diagnostic Investigation (JVDI) – 4:00-6:00pm; Stratford.

AAVLD – Constitution, Bylaws and Resolutions Committee – 5:00-6:00pm; Devonshire.

AAVLD – New Member Orientation – 5:15-6:00pm; Sunrise.

AAVLD – President's Reception and Auction – 6:00-9:00pm; Town and Country and San Diego.

AAVLD – Foundation Committee – 9:00-10:00pm; Devonshire.

AAVLD Posters

Atlas Foyer

Friday, October 9, 3:00pm until Sunday, October 11, 3:00pm

Poster presenters at posters from 9:50-10:15am Saturday and 10:00-10:30 am Sunday.

- 1 *Seasonal and Geographical Patterns of and Risk Factors Associated with Canine Viral Squamous Papillomas – Deanna Dailey, Sangeeta Rao, Ashley Hill, Debra Kamstock
- 2 *Time to Seroconversion to Vesicular Stomatitis Virus in Sentinel Cows in Southern Mexico – Aiko Adell, Andres Perez, Roberto Navarro, Pedro Paz, Luis Rodriguez
- 3 *Near Real-Time Surveillance of Avian Influenza in Italy – Arianna Comin, Andres Perez, Luca Busani, Alice Fusaro, Zack Whedbee, Preben Willeberg, Stefano Marangon, Mark Thurmond
- 4 The Cador *T. equigenitalis* PCR Kit is a Fast and Sensitive Method for *Taylorella equigenitalis* Routine Diagnostics – Helge Marquardt, Susanne Schlemm, Antje Lukas, Greg Nowak, Natalie Simpson, Jenny Ousey, Lorraine Palmer, Robert Cash, Kevin Grimes, Adam Fletcher, Annalisa Barrelet, Alastair Foote, Florence Manning, Sidney Ricketts, Jane Errington, Sarah North, P Wakeley
- 5 A High-Throughput Workflow for the Extraction of Aquaculture Pathogen DNA/RNA from Aquatic Tissues – Rohan Shah, Elizabeth Luo, Choy Len Fong
- 6 Diagnostic Sample Types for Real-Time PCR Detection of Equine Pathogens - Samantha Mapes, Cara Johnson, Tammi Olineka, Alicja Omanska, Nancie Mooney, Emir Hodzic, Nicola Pusterla
- 7 Comparison of Four Methods to Quantify Equine Herpesvirus-1 Load by Real-Time PCR in Nasal Secretions of Infected Horses – Samantha Mapes, Stephen Hussey, Christian Leutenegger, John Madigan, Gregory Ferraro, David Wilson, Paul Lunn, Nicola Pusterla
- 8 Applications of Universal Internal Positive Control for Pathogen Nucleic Acid Purification and Research – Mangkey Bounpheng, Angela Burrell, Quoc Hoang, Weiwei Xu, Rohan Shah, Darcy Myers
- 9 Adaption of a Real-time RT-PCR Based Assay for the Detection of Bluetongue Virus (BTV) – Helge Marquardt, Patricia Grzechnik, Antje Lukas, Timm Greve, Simone Gaucj, Ute Krüger, Susanne Schlemm, Peter Mertens, Andrew Shaw
- 10 Real-Time PCR Detection of Veterinary Pathogens – Solutions that can Adapt to Changing Needs - Holger Engel, Lillian Roth, Denis Fluegge, Sandy Leifholz, Simone Gauch, Mario Scherer
- 11 Development of Duplex Real-Time RT-PCR for Rapid Detection and Differentiation of the Classical North American Genotype PRRSVs and the Highly Virulent PRRSV from China – Xi Li, Zheng Chai, Fang Fu, Wenjun Ma

- 12 Evaluation of a High-Throughput Protocol for the Purification of *Tritrichomonas foetus* DNA from Bovine InPouch TF™ Cultures – Darcy Myers, Ashish Chougule, Quoc Hoang, Rohan Shah, Weiwei Xu, Angela Burrell, Weiwen Ge, Mangkey Bounpheng
- 13 *Effects of High Temperatures on the Survival of *Tritrichomonas foetus* in InPouch TF™ Media – John Davidson, Jeff Ondrak, Arn Anderson, Amy Swinford, Erdal Erol
- 14 A Novel One-Step RT-PCR Mix that Provides Greatly Improved Sensitivity and Much Shorter Time to Results in Real-Time PCR for the Detection of RNA Viruses and in Gene Expression Analysis in Bacteria or Animals – Bill Marion, Greer Kaufman, George Blackstone, Michael Vickery
- 15 Isolation of Rothia-Like Organism from a Goat Abscess – Jing Cui, Yan Zhang, A Parkinson, M Weisner, K Ott, Beverly Byrum
- 16 ♦Development of PARACHEK® 2 for High-Throughput Detection of Johne's Disease in Milk and Serum Samples – Pascal Schacher, Angela Zurfluh, Daniel Zwald, Pascal Weniger, Alex Raeber
- 17 BD BACTEC™ MGIT™ 960 Para TB System Performance with Growth Medium Antimicrobials for Highly Contaminated Samples – Mark Guntow, Matthew Warns, Greta Campbell, Richard Pfeltz
- 18 Investigation of Wild Freshwater Fish Die-Off in New Jersey – Amar Patil, Willie Bingham, Beatriz Miguel
- 19 *The Effects of Common Semen Extenders Inoculated with Various Bacterial Strains on Semen Quality in Horses – Bettina Olivieri, Brenda Love, Grant Rezabek, Reed Holyoak, Dickson Varner
- 20 Evaluation of the *In Vitro* Susceptibility of *Leptospira* Strains to Cefovecin Sodium (Convenia®) – Jason Wong, Jeffrey Galvin
- 21 Real-Time qPCR Pathogen Detection Using a Novel Nanofluidic System – Elen Ortenberg, James Hurley, Andrew Bond, Doug Roberts, Kevin Munnelly
- 22 Comparative Histopathologic Characteristics of Highly Pathogenic Avian Influenza (HPAI) in Chickens and Domestic Ducks in 2008 Korea – GyeHyeong Woo, HaYoung Kim, YouChan Bae, YoungHwa Jean, InSoon Roh, MinJeong Kim, EunJung Bak, EuiKyung Hwang, YiSeok Joo
- 23 Necrotizing Sialometaplasia of Parotid Gland in a Dog: A Case Report – Ha-Young Kim, Gye-Hyeong Woo, You-Chan Bae, Young-Hwa Jean, In-Soon Rho, Yeon-Hee Park, Yi-Seok Joo
- 24 Does Asinine Herpesvirus-5 cause Renal Disease in Miniature Donkeys? – Abigail Durkes, Jose Ramos-Vara, Roman Pogranichny
- 25 *Enteroviral Polioencephalomyelitis in an Indiana Swine Herd – Chad Frank, Roman Pogranichny, Steve Lenz, Margaret Miller
- 26 Embryonal Rhabdomyosarcoma in a Dog – José Ramos-Vara, Jean Stiles
- 27 *Pleuritis and Pneumonia Incited by *Paecilomyces lilacinus* in an Aquarium-Held Loggerhead Sea Turtle (*Caretta caretta*) – Vanessa Schumacher, Barbara Mangold, John Lenzycki, Lynn Hinckley, Deanna Sutton, Salvatore Frasca
- 28 *Histopathologic and Ultrastructural Findings of Chronic Experimental Cardiotoxicity Induced by Monofluoroacetate Producing-Plant *Palicourea marcgravii* – Janildo Reis, Marcio Castro, Augusto Moscardini, Ernane Novais, Jose Borges, Franklin Riet-Correa, Elizabeth Howerth
- 29 Mast Cells in Canine Enteritis and Some Neoplasms – Moges Woldemeskel, Sreekumari Rajeev
- 30 Effects of Prolonged Formalin-Fixation on the Immunohistochemical Detection of Infectious Agents in Domestic Animals – Joshua Webster, Margaret Miller, Dee DuSold, José Ramos-Vara
- 31 Warty Dyskeratoma in a Dog – Gregory Campbell
- 32 Fatal Respiratory Disease Associated with Chemical Injury in Pre-Weaned Lambs – Sandra Scholes, Andrew Holliman, Rebecca Mearns, Robert Higgins, Paul Duff

- 33 *Gastrointestinal Leiomyosarcoma in an Egyptian Fruit Bat (*Rousettus aegyptiacus*) – Ryan Jennings, Jose Ramos-Vara
- 34 1-OH-Pyrene and 3-OH-Phenanthrene as an Exposure Biomarker for Polyaromatic Hydrocarbons in Dairy Cattle – Hwangoo Kang, Sanghee Jeong, Joonhyoung Cho, Karyn Bischoff
- 35 *Chronic Yew Toxicity in a Holstein Heifer – Grant Burcham, Kyle Becker, John Tahara, Christina Wilson, Stephen Hooser
- 36 Hepatitis and Mortality in Neonatal Calves Co-Infected with Bovine Herpesvirus-1 and Bovine Viral Diarrhea Viruses – Hana Van Campen, Douglas Prante, Jeanette Bishop, Chris Gates, Barb Powers
- 37 Isolation and Genetic Analysis of Bovine Viral Diarrhea Virus from Infected Indiana Cattle – Roman Pogranichniy, Meagan Schnur, Eran Raizman, Duane Murphy, Leon Thacker
- 38 Experimental Infection of Colostrum-Deprived Calves with Bovine Viral Diarrhea Virus Type-1 Isolated from Free-Ranging White Tailed Deer (*Odocoileus virginianus*) – Eran Raizman, Roman Pogranichniy, Michel Levy, Maria Negron, William Van Alstine
- 39 An Outbreak of Epizootic Hemorrhagic Disease in a Captive Deer Herd – Yan Zhang, Jeff Hayes, Jing Cui, Kerri Lawrence, Jason Herr, Sandy Blackford, Beverly Byrum
- 40 Characterization and Sequence Analysis of 2009 Foot-and-Mouth Disease Outbreak in Iraq– Consuelo Carrillo, Andrew Fabian, Alexa Bracht, Heather Petrowsky, Greg Mayr, Mary Lou Berninger, Karen Moran, Heather Leibretch, Khalid Hashim Shlash, Saab Razook, Todd Edwards, Jessica McCoy, Mo Salman, Samia Metwally
- 41 Prionics' Test Kit Combinations for Effective Testing During the Recovery-Phase of Outbreaks of Food-and-Mouth Disease and Classical Swine Fever – Jan Willem Scholten, Gerard van de Wetering, Liesbeth Jacobs, Wim Schielen
- 42 Competitive Evaluation of the Next Generation IDEXX Bovine Viral Diarrhea Antigen ELISA – Lisa Estey, Katherine Velek, Shona Michaud, Hardi Liauw, Nevena Djuranovic, Matt Durgin
- 43 High Genetic Diversity of Bovine Viral Diarrhea Viruses Isolated Recently in the Republic of Korea – Sang-Ho Cha, In-Joong Kim, Hyun-Mi Pyo, In-Soo Cho, Myung-Suk Sung, Soon-Tae Kim, Sang-Yun Kim, Bang-Hun Hyun
- 44 *Detection of Avian Influenza (AI) Viruses in Experimentally Infected Poultry Litter – Aline Reis, Casey Ritz, David Stallknecht, Maricarmen Garcia
- 45 Lack of Prion Accumulation in Lymphoid Tissues of Scrapie-Affected Sheep with the AA136, QR171 Prion Protein Genotype – Robert Kunkle, Amir Hamir, Juergen Richt, Justin Greenlee, Eric Nicholson, Marcus Kehrl
- 46 *Application of a Real-Time Reverse Transcriptase Polymerase Chain Reaction and an Antigen Capture Enzyme-Linked Immunosorbent Assay to Detect Animals Infected with Bovine Viral Diarrhea Virus – Lifang Yan, Shuping Zhang, Lanny Pace, Floyd Wilson, Michael Zhang

- AAVLD – Plenary Session** – 8:00-11:20am; Town and Country.
- New and Emerging Diagnostic Technologies**
- 8:00am Welcome – Gary Anderson, AAVLD President-Elect
- 8:05am Microbe Hunting in the 21st Century – Ian Lipkin
- 8:35am Laboratory Diagnostics for 21st Century Veterinary Medicine – Chris Whitehouse
- 9:00am Diagnosis of Microbial Diseases in the Genomic Era – Craig Altier
- 9:25am What Led to the Discovery of the Emerging Reston Ebolavirus in Pigs? – Samia Metwally
- 9:50am Break
- 10:15am Application of Toxicoproteomics in Diagnostic Veterinary Toxicology – Christina Wilson
- 10:40am Multiplexing of Serologic and Molecular Genetic Diagnostic Assays for Microbiologic Surveillance – William Shek
- 11:05am Portable Automated Non-PCR-Based Field Diagnostics-Bovine Viral Diarrhea as a Model - Michael Connolly
- USAHA/AAVLD – Committee on Animal Emergency Management** – 8:00am-5:00pm; Sunrise.
- National Assembly of State Animal Health Officials (NASHO)** – 8:00am-6:00pm; Royal Palm Salons 4, 5 and 6.
- USAHA/AAVLD – Committee on Animal Emergency Management and NASHO Joint Session** – 10:00am-12:00pm; Sunrise
- AAVLD – House of Delegates and General Membership Meeting** – 11:30am-12:00pm; San Diego.
- AAVLD – Exhibits** - 11:00am-1:00pm and 3:00-6:00pm; Grand Hall.
- AAVLD – Posters** – All day; Atlas Foyer. Poster presenters at posters from 9:50-10:15am.
- AAVLD – Membership Committee** – 12:00-1:00pm; Devonshire.
- AAVLD – Virology Scientific Session** – 1:00-3:15pm; Town and Country.
- 1:00pm *Development and Evaluation of One-Step TaqMan® Real-Time Reverse Transcription-PCR Assays Targeting NP, M and HA Genes of Equine Influenza Virus – Zhengchun Lu, Thomas Chambers, Saikat Boliar, Peter Timoney, Adam Branscum, Stephanie Reedy, Lynn Tudor, Edward Dubovi, Mary Lynne Vickers, Stephen Sells, Udeni Balasuriya
- 1:15pm *Identification and Characterization of H2N3 Avian Influenza Virus from Backyard Poultry and Comparison to Novel H2N3 Swine Influenza Virus – Mary Lea Killian, Yan Zhang, Brundaban Panigrahy, Darrell Trampel, Kyoung-Jin Yoon
- 1:30pm *RT-PCR Detection of H3N2 Influenza Virus in Oral Fluid Samples from Experimentally Infected Pigs – Christa Irwin, John Prickett, Jeff Zimmerman, Brad Bosworth, Jane Christopher-Hennings
- 1:45pm *Preliminary Validation of Real-Time RT-PCR Assays for the Detection of Novel H1N1 Influenza A Virus – Mary Lea Killian, Leo Koster, Amy Vincent, David Suarez, Kay Faaberg, Sabrina Swenson, Beverly Schmitt, Barbara Martin, Dennis Senne, Brundaban Panigrahy
- 2:00pm Rapid Detection of the New Swine-Origin H1N1 Virus by Real-Time and Gel-Based RT-PCR Assays – Wenjun Ma, Richard Oberst, Richard Hesse, Raymond Rowland, Deborah Clouser, Xi Li, Juergen Richt
- 2:15pm Cross Hemagglutination Inhibition Activity Against the Novel Influenza A/ H1N1 Virus in Pigs Vaccinated with a Regional Autogenous Trivalent SIV Vaccine – Joe Anderson, Maureen Kerrigan, Raymond Rowland, Wenjun Ma, Deborah Clouser, Juergen Richt, Steve Henry, Jeff DeMint, Richard Hesse
- 2:30pm Incorporation of Multiple Primer and Probe Sequences to Improve Swine Influenza Virus Hemagglutinin Subtyping by Real-Time RT-PCR – Karen Harmon, Wendy Stensland, Sarah Abate, Kyoung-Jin Yoon

Daily Events (cont.) Saturday, October 10

- 2:45pm Antigenic Characterization of Contemporary H3N2 Swine Influenza Virus Isolates Using a Novel High Throughput Serum Neutralization Assay – Ben Hause, Tracy Oleson, Russ Bey, Doug Stine, Randy Simonson
- 3:00pm Diagnostic Laboratory-Based Retrospective Survey of Midwestern US Swine for the Novel H1N1 Influenza A Virus Identified during Flu Outbreaks in Human Population by Matrix Gene Sequencing – Leslie Bower, Won-Il Kim, Kyoung-Jin Yoon

AAVLD – Pathology Scientific Session – 1:00-3:15pm; Golden West.

- 1:00pm *+Hypertrophic Osteopathy Associated with an Intra-Abdominal Neoplasm in a Cat – Robert Johnson, Steve Lenz
- 1:15pm **Phalaris* spp. Grass Staggers in Beef Cattle – Ellen Binder, Dennis Blodgett, John Currin, Jerry Cherney, Tanya LeRoith
- 1:30pm Neurodegenerative Hydrocephalus (NH) in Angus Calves – David Steffen, Jon Beever, Brandy Marron
- 1:45pm Cerebral Injury Following Hot-Iron Disbudding of Suckler Calves – Andrew Holliman, Sandra Scholes
- 2:00pm *Echinococcus granulosus* Infection in a Sheep – Jane Kelly, Thomas Baldwin, Kerry Rood
- 2:15pm Pathology of *Clostridium difficile* Infection in Horses: A Retrospective Study of 34 Cases – Francisco Uzal, Antonio Rodriguez Bertos, Santiago Diab
- 2:30pm Increased Number of Bovine Herpesvirus-1 (IBR) and Bovine Viral Diarrhea Virus (BVDV) Combined Abortions (2002 to 2009) – Hana Van Campen, Pat Schultheiss, Christina Gates, Jeanette Bishop, Anita Schiebel, John Maulsby, Barb Powers
- 2:45pm Paraffin Section Tissue Aging and Immunohistochemistry: Myth or Reality? – José Ramos-Vara, Joshua Webster, Dee DuSold, Margaret Miller
- 3:00pm ♦Swine Teschovirus Encephalomyelitis in Haiti – Ming Deng, Max Millien, Keith Flanagan, Alexa Bracht, Consuelo Carrillo, Leo Koster, Andrew Fabian, Rodney Jacques-Simon, Fawzi Mohamed, Karen Moran, Melinda Jenkins-Moore, Bruce Thomsen

AAVLD – Microbiology Scientific Session – 1:00-3:00pm; San Diego.

- 1:00pm *Comparison of TaqMan® PCR Testing at Four Laboratories for *Tritrichomonas foetus* Detection in Bulls – Hernan Montilla, Charles Estill, Lee Effinger, Mangkey Bounpheng, Darcy Myers, Gary Anderson, Richard Oberst, Jessie Trujillo, Tessa Guy
- 1:15pm Field Validation of a Real-Time PCR Detection Assay for *T. foetus* and Evaluation of Sample Transport and In-Pouch Pooling on Assay Sensitivity – Jessie Trujillo, Tessa Guy, Kerry Rood, Bruce King
- 1:30pm *Comparison of Assays for the Detection of *Tritrichomonas foetus* in Bovine Preputial Scrapings – Laurie Baeten, Kristy Pablonia, Christina Weller, Jeanette Bishop, Kristin Spencer, Lora Ballweber
- 1:45pm *Comparison of Smegma Sample Collection Sites and Diagnostic Methods for Improved *Tritrichomonas foetus* Detection in Bulls – Hernan Montilla, Charles Estill, Lee Effinger, Mangkey Bounpheng, Darcy Myers
- 2:00pm *Real Time PCR *Tritrichomonas foetus* Diagnostic Performance Improves when Combined with Culture Results – Jeff Ondrak, Jim Keen, Gary Rupp, Scott Reynolds, Jim Kennedy, Scott McVey, Bill Baker
- 2:15pm *Development of Molecular Diagnostic Techniques to Detect and Distinguish Various *Eimeria* Species in North American Game Birds – Richard Gerhold, Lori Lollis, Lorraine Fuller, Robert Beckstead, Larry McDougald
- 2:30pm *Host-Specific Differential Gene Expression from the 28 kDa Multigene Locus in *Ehrlichia chaffeensis*: Transcriptional Analysis and Promoter Characterization - Lalitha Peddireddi, Chuanamin Cheng, Roman Ganta

Daily Events (cont.) Saturday, October 10

- 2:45pm Detection and Speciation of *Leptospira* sp. in Clinical Samples Using Real-Time PCR Followed by Sequencing of Amplicons – Natasha Novik, Simone Oliveira

AAVLD – Toxicology Scientific Session – 1:00-3:15pm; California.

- 1:00pm Amanitin Intoxication in Dogs: 2005-2009 – Robert Poppenga, Birgit Puschner, Asheesh Tiwary, Motoko Mukai, Bimal Chhetri
- 1:15pm Copper Deficiency in Kansas Bison – Jerome Nietfeld, Deon van der Merwe, Daniel Fisher, Karma Loughney
- 1:30pm Ronidazole Toxicosis in Three Society Finches (*Lonchura striata*) – Leslie Woods, Robert Higgins, Victoria Joseph, Mike Filigenzi, Birgit Puschner
- 1:45pm Overview of Lead Isotope Ratios – Ian Holser, Larry Melton, Linda Aston, Robert Poppenga
- 2:00pm Unusual Cases of *Nerium oleander* Toxicosis: A Dog and a Sea Lion – Motoko Mukai, Nicholas Russell, Ron Boyd, Bethany Doescher, Robert Poppenga
- 2:15pm Detection of Tetrodotoxin in GI and Kidney Samples by LC-MS/MS – Elizabeth Tor, Birgit Puschner, Michael Filigenzi, Linda Aston, Robert Poppenga
- 2:30pm Selenium Poisoning in Swine – Patricia Talcott, Gary Haldorson, Katie Boland, Evan Evans
- 2:45pm *Fibrinopurpurative Pneumonitis Associated with Diesel Ingestion in a Herd of Beef Cattle – Katherine Gailbreath, Patricia Talcott, Timothy Baszler
- 3:00pm *Nitrate Toxicity in a Cow-Calf Herd – John Rathje, Gary Osweiler, Steve Ensley, Bruce Janke, Zach Vosburg

AAVLD – Administrative Management Personnel Committee – 1:00-5:00pm; Towne.

Applied Animal Health, Public Health Research and Extension Veterinarians Symposium – 3:00-6:00pm; Sunset.

AAVLD – Veterinary Analytical Toxicology and Mycotoxins Committee – 3:30-7:00pm; California.

USAHA – Committee on Environment - 3:30-7:00pm; California.

AAVLD – Diagnostic Bacteriology Case Reports - 3:30-6:00pm; San Diego.

AAVLD – Government Relations Committee – 3:30-5:30pm; Stratford.

AAVLD – Histopathology Slide Seminar – 3:30-6:00pm; Golden West.

AAVLD – NAHLN - Laboratory Directors Committee - 5:30-7:30pm; Town and Country.

American Association of Food Hygiene Veterinarians, Board of Directors – 6:00-10:00pm; Stratford.

USAHA – Committee on Program – 6:00-8:30pm; Royal Palm Salons 2 and 3.

Extension Veterinarians Business Meeting – 6:00-10:00pm; Sunset.

AAVLD – Bacteriology Steering Committee – 8:30-10:00pm; Devonshire.

Prayer Breakfast – 6:30-8:00am; Tiki Pavilion.

USAHA – District Breakfast (all districts) – 7:30-8:30am: Golden Ballroom.

AAVLD – Posters – All day to 3pm; Atlas Foyer. Poster presenters at posters from 10:00-10:30 am.

Food Safety Symposium – 8:00am-12:00pm; Pacific Salon 1 and 2.

Sponsored by the American Association of Food Hygiene Veterinarians

***Listeria monocytogenes*: An Ever-present Foodborne Pathogen**

8:00am Introductory Remarks – Bonnie Buntain, Moderator, President-elect, AAHFV

8:05am Ecology of *Listeria monocytogenes* – Factors That Make This Organism an Effective Foodborne Pathogen – John Luchansky

9:00am USDA, Food Safety and Inspection Service Experience with Foodborne Outbreaks Attributed to *Listeria monocytogenes* – Robert Tedaw

10:00am Canadian Experience with Disease Outbreaks Attributed to *Listeria monocytogenes* – Mark Raizenne

11:00am New Technologies to Control Contamination of Food Products with *Listeria monocytogenes* – John Luchansky

12:00pm Adjourn

AAVLD – Epidemiology Scientific Session – 8:00am-12:00pm; Town and Country.

8:00am ♦A BioPortal System for Global Surveillance of Animal Diseases – Andres Perez, Preben Willeberg, Mike Ascher, Zachary Whedbee, Mark Thurmond

8:15am Over-Wintering of Vesicular Stomatitis Virus in 2004-2006 – Andres Perez, Steven Pauszek, Daniel Jimenez, William Kelley, Zachary Whedbee, Luis Rodriguez

8:30am ♦BVDV in Calves in US Beef Cow-Calf Herds – Michael Sanderson, David Dargatz, Bruce Wagner

8:45am ♦Novel H1N1 Influenza A Virus in an Alberta Swine Herd – Jim Clark

9:00am *Space-Time Clustering, Reproductive Number Estimation, and Visualization of Highly Pathogenic Avian Influenza in Wild Birds of Denmark in 2006 Using a Prototype AI Bioportal – Mohammad Alkhamis, Preben Willeberg, Andres Perez, Mark Thurmond, Mike Ascher, Tim Carpenter

9:15am *Epidemiology of Bluetongue Virus and Infection Among Ruminants in California – Christie Mayo, Beate Crossley, Sharon Hietala, Richard Breitmeyer, Charles Palmer, Ian Gardner, James MacLachlan

9:30am *Bluetongue Virus Control in California Sheep Using PCR-Based Detection of the Virus Predicted by a Vector-Borne Disease Model – Barbara Brito, Beate Crossley, Sharon Hietala

9:45am *Implications of an Optimal Livestock Tracing System Using a Simulation Model for Foot-and-Mouth Disease (FMD) – Fernando Mardones, Clair Thunes, Heinrich zu Donha, Tim Carpenter

10:00am Break

10:30am *Meeting the Requirements for Drug Safety & Efficacy in Minor Use and Minor Species – Kris Clothier, Ronald Griffith

10:45am *Eliciting Expert Opinion to Model Time-to-Trace Livestock Shipments – Fernando Mardones, Clair Thunes, Victor Velez, Tim Carpenter

11:00am ♦Effect of Movement Controls and Biosecurity on Transmission of Disease by Indirect Contact in the Control of Foot-and-Mouth Disease in Livestock Production Systems in the Central United States – Michael Sanderson, Kim Forde-Folle, Aaron Reeves

11:15am Use of Random Effects Linear Models in the Herd-Level Evaluation of Bovine Serum Selenium, Copper and Zinc Concentrations – Thomas H. Herdt

11:30am Management of Bacterial Kidney Disease in Chinook Salmon Hatcheries Based on Broodstock Testing by Enzyme-Linked Immunosorbent Assay

(ELISA): A Multi-Year Study – Douglas Munson, Diane Elliott, Keith Johnson, Phillip Mamer

11:45am Porcine Circovirus Type 2 (PCV2) ELISA Seroprofiles of Pigs in PCVD-Associated Affected and Non-Affected Farms – Francois Joisel, Daniel Pilot, Nathalie Bridoux, Bernard Fily, Jean Bernard Herin, Luc Mieli, Elvis Lebon, Stephane Guilloisou, Sophie Longo, Catherine Charreyre

AAVLD – Pathology Scientific Session - 8:00am-12:00pm; San Diego.

8:00am *Host Predilection of Epidemic Vesicular Stomatitis New Jersey Virus Strains in Cattle – Paul Smith, Daniel Mead, Elizabeth Howerth, David Stallknecht, Deborah Carter, Raymond Noblet

8:15am *The Early Pathogenesis of Foot-and-Mouth Disease in Cattle after Aerosol Inoculation – Jonathan Arzt, Juan Pacheco, Luis Rodriguez

8:30am *CD8+/perforin+/WC1- gammadelta T, CD4+/perforin- alphabeta T, and B Lymphocytes Infiltrate Vasculitis Lesions of American bison (*Bison bison*) with Experimentally-Induced Sheep-Associated Malignant Catarrhal Fever – Danielle Nelson, William Davis, Wendy Brown, Hong Li, Donal O'Toole, Lindsay Oaks

8:45am *Median Infectious Dose (ID50) of PRRSV Isolate MN-184 for Young Pigs Via Aerosol Exposure – Timothy Cutler, Apisit Kittawornrat, Steven Hoff, Chong Wang, Jeffrey Zimmerman

9:00am **In Situ* Kinetics and Distribution of the Vesicular Stomatitis Virus during Early Infection in Cattle Inoculated via Scarification and Black Flies – Janildo Reis, Luis Rodriguez, Danny Mead, George Smoliga, Paul Smith, Corrie Brown

9:15am Systemic Distribution of Lesions and Viral Antigen in Alpacas Acutely Infected with Type 1b Bovine Viral Diarrhea virus (BVDV) Isolated from Crias with Naturally-Occurring Persistent BVDV Infections – David Steffen, Christina Topliff, John Schmitz, John Kammerman, Jamie Henningson, Clayton Kelling

9:30am Outbreak of Malignant Catarrhal Fever in Cattle Associated with a State Fair – Dale Moore, Paul Kohrs, Timothy Baszler, Cynthia Faux, Peter Sathre, John Wenz, Leonard Eldridge, Hong Li

9:45am Permissiveness of Swine to Infection with H5N1 Highly Pathogenic Avian Influenza Viruses – Bruce Janke, Richard Webby, Kelly Lager, Jason Buehler

10:00am Break

10:30am Development of a Forensic Pathology Course for Veterinary Students – Doris Miller, Melinda Merck

10:45am Foot-and-Mouth Disease in Feral Swine: Susceptibility and Transmission – Fawzi Mohamed, Seth Swafford, Heather Petrowski, Alexa Bracht, Brandon Schmit, Andrew Fabian, Juan Pacheco-Tobin, Ethan Hartwig, Mary Lou Berninger, Consuelo Carrillo, Gregory Mayr, Karen Moran

11:00am Evaluation of Commercial Monoclonal Antibodies for Use in Immunohistochemical Staining for Porcine and Bovine Group A Rotaviruses – Joe Brodie, Kyoung-Jin Yoon

11:15am Perianal Squamous Cell Carcinoma Including a New Variant of Giant Cell Carcinoma in Boer Goats – Tawfik Aboellail, Brian Porter, Karen Fox

11:30am *Cattle as Potential Amplifying Hosts of Vesicular Stomatitis New Jersey Virus – Paul Smith, Daniel Mead, Elizabeth Howerth, Deborah Carter, Raymond Noble, Luis Rodriguez

11:45am Progressive Accumulation of PrPCWD and Spongiform Encephalopathy in the Obex of Rocky Mountain Elk (*Cervus elaphus nelsoni*) with Chronic Wasting Disease and Use as a Means of Scoring the Stage of Disease and Predicting Accumulation of Prion in Peripheral Tissues – Terry Spraker, Tom Gidlewski, Jenny Powers, Scott Wright, Aru Balachandren, Margaret Wild, Katherine O'Rourke

Daily Events (cont.) Sunday, October 11

AAVLD – Microbiology Scientific Session – 8:00am-12:00pm; Golden West.

- 8:00am ♦ Evaluation of a Second Generation BOVIGAM® Interferon Gamma (IFN-γ) Assay with Alternative Antigens for Stimulation of Whole Blood Cultures – Roland Hardegger, Mario Pürro, Björn Schröder, Jean-Louis Moyon, Eamonn Gormley, Ray Waters, Mitchell Palmer, Tyler Thacker, Adam Whelan, Martin Vordermeier, Alex Raeber
- 8:15am ♦ Response of Sensitized Elk to Single Cervical Tuberculin (SCT) and Comparative Cervical Tuberculin (CCT) Tests – Shylo Johnson, Pauline Nol, Robert Meyer, Mike Dunbar, Jack Rhyan
- 8:30am Seroepidemiology to Determine Parvovirus Prevalence in U.S. Poultry – Laszlo Zsak, Keith Strother, Michael Day
- 8:45am *Mycoplasma* Found in Bedding of Dairy Herds with Associated *Mycoplasma* Mastitis in Dairy Cattle – David Wilson, Jessie Trujillo, Anne Justice-Allen, Greg Goodell
- 9:00am Determination of the Sample Type, Serologic Data and Culture Methods for the Detection of Canine Brucellosis – William Fales, Gayle Johnson, Irene Ganjam, Audrey Rottinghaus, Thomas Reilly
- 9:15am Development of a Real-Time RT-PCR for Detection of Viral Hemorrhagic Septicemia Virus – Yan Zhang, Jing Cui, K Ott, Beverly Byrum
- 9:30am SYBR Green Real-Time PCR Detection and Differentiation Assay for *Mycoplasma* species in Biological Samples – Jessie Trujillo, Anne Justice-Allen, Timothy Morley
- 9:45am Reduction in *Mycoplasma* Mastitis in Utah Dairy Herds Participating in a Follow up Project – David Wilson, Anne Justice-Allen, Jennifer Maddox
- 10:00am Break
- 10:30am ♦ Application of the IDEXX MAP ELISA for the Diagnosis of Both Johne's Disease and Caseous Lymphadenitis Disease in Sheep and Goats - Beth Mamer, Wayne Ayers, Marie Bulgín
- 10:45am ♦ Turkey Cellulitis: Descriptive Epidemiology and Molecular Characterization of Potential Etiological Agents – Matheus Costa, Simone Oliveira, Scott Wells, Morgan Hennessey, Rob Porter, Andre Ziegler, Srinand Sreevatsan
- 11:00am ♦ Differential Gene Expression Study of bTB-Positive Cattle and bTB Test- False Positive Cattle in Michigan – Ailam Lim, Steve Bolin
- 11:15am ♦ Alternative Assays and Testing Algorithm for Confirmation of Suspect False Positives in a Commercial ELISA for PRRSV – Siyuan Liu, Won-II Kim, Sheela Ramamoorthy, Kyoung-Jin Yoon
- 11:30am ♦ Epidemiology of Infectious Salmon Anemia Virus in Farmed Salmon – Fernando Mardones, Andres Perez, Tim Carpenter
- 11:45am Experiences After Eighteen Months of Bovine Viral Diarrhea Eradication Program in Switzerland – Dieter Brunner

AAVLD – Virology Scientific Session – 8:00am-12:00pm; California.

- 8:00am Evaluation of Influenza Diagnostic Assays for Alcohol-Inactivated Influenza A Viruses – Marie Gramer
- 8:15am ♦ UV254 Inactivation of Selected Viral Pathogens – Timothy Cutler, Steven Hoff, Chong Wong, Kristi Warren, Fanghong Zhou, Qingsong Qin, Cathy Miller, Julia Ridpath, Kyoung-Jin Yoon, Jeff Zimmerman
- 8:30am Bovine Viral Diarrhea Virus Experimental Live Virus (BVDV1b and BVDV2b) Vaccines in Cattle: Immunogenicity Studies with Antibody Response to Multiple BVDV Subgenotypes – Robert Fulton, Julia Ridpath, Lurinda Burge, D. Step, Bill Johnson, Sanjay Kapil
- 8:45am Evaluation of Hair as an Alternative Sample for the Detection of Bovine Viral Diarrhea Virus by Antigen Capture ELISA – Andrew Read, Jing Zhang, Annette Elliott, Rodney Davis, Peter Kirkland

Daily Events (cont.) Sunday, October 11

- 9:00am Evaluation of a Real-Time Polymerase Chain Reaction Assay for the Detection of Bluetongue Virus in Bovine Semen – Xingnian Gu, Rodney Davis, Peter Kirkland
- 9:15am Bench Validation of a High Throughput Real Time RT PCR Assay to Detect Very Virulent Infectious Bursal Disease Virus – Beate Crossley, Daral Jackwood, Hailu Kinde, Sharon Hietala
- 9:30am Molecular Characterization of a Novel Coronavirus, Inducing Feline Infectious Peritonitis (FIP)-Like Lesions in Ferrets – Annabel Wise, Matti Kiupel, Michael Garner, April Clark, Roger Maes
- 9:45am Identification of Molecular Markers for the Virulence of Porcine Reproductive and Respiratory Syndrome (PRRS) Virus – Won-II Kim, Dong Sun, Yong-II Cho, Siyuan Liu, Vickie Cooper, Kyoung-Jin Yoon
- 10:00am Break
- 10:30am Metagenomic Approaches to Molecular Identification of Pathogens – Roger Barrette, Jessica Rowland, Samia Metwally, Michael McIntosh
- 10:45am Pan-Viral Microarray Detection of Reston Ebolavirus in Swine from the Philippines – Roger Barrette, Samia Metwally, Jessica Rowland, Lizhe Xu, Sherif Zaki, Stuart Nichol, Pierre Rollin, Jonathan Towner, Wun-Ju Shieh, Brigid Batten, Tara Sealy, Consuelo Carrillo
- 11:00am Simultaneous Detection of Multiple Pathogens Using High-Throughput Nanoliter Real-Time PCR – Won-II Kim, Leslie Bower, Erin Strait, Karen Harmon, Kyoung-Jin Yoon
- 11:15am Use of High Throughput Instrumentation and Kits for Real-Time RT-PCR Testing of Serum Samples for Porcine Reproductive and Respiratory Syndrome Virus – Scott Hahn, Maureen Kerrigan, Benjamin Triple, Richard Hesse, Bob Rowland, Richard Oberst
- 11:30am ♦ Detection of PCV2 and Anti-PCV2 Antibodies in Porcine Oral Fluid Samples – John Prickett, Tanja Opriessnig, John Johnson, Mike Murtaugh, Suzanne Stone, Jeff Zimmerman
- 11:45am ♦ Increased Prevalence of Neuropathogenic Strains of EHV-1 in Equine Abortions – Kathryn Smith, George Allen, Adam Branscum, Frank Cook, Mary Vickers, Peter Timoney, Udeni Balasuriya

AAVLD – Administrative Management Personnel Committee - 8:00am-12:00pm; Sunset.

Northeast District Meeting – 9:00-11:30am; Royal Palm Salons 5 and 6.

North Central District Meeting – 9:00-11:30am; Pacific Salons 6 and 7.

South District Meeting – 9:00-11:30am; Sunrise.

Western District Meeting – 9:00-11:30am; Royal Palm Salons 3 and 4.

District-at-Large Meeting – 9:00-11:30am, Pacific Salons 4 and 5.

Spouses Brunch – 9:30am-12:00pm; Tiki Pavilion.

AAVLD – Exhibits – 9:45-10:45am and 12:00-2:00pm; Grand Hall.

AAVLD – Pathology Committee – 12:00-2:00pm; San Diego.

USAHA/AAVLD – Committee on National Animal Health Laboratory Network – 12:00-3:00pm; Towne.

USAHA/AAVLD – Committee on Animal Health Surveillance and Information Systems – 12:30-5:30pm; Pacific Salon 3.

Time Specific Paper

Committee on Animal Health Surveillance and Information Systems

2:00pm – New York State Cattle Health Assurance Program – John Huntley, New York State Department of Agriculture and Markets

Daily Events (cont.) Sunday, October 11

USAHA/AAVLD – Committee on Aquaculture – 12:30-5:30pm; Royal Palm Salons 3 and 4.

USAHA – Committee on Captive Wildlife and Alternative Livestock – 12:30-5:30pm; Sunrise.

USAHA – Committee on Infectious Diseases of Cattle, Bison and Camelids – 12:30-5:30pm; Royal Palm 2.

USAHA – Committee on Johne's Disease – 12:30-5:30pm; Golden West.

USAHA – Committee on Salmonella – 12:30-5:30pm; California.

USAHA – Scientific Advisory Subcommittee on Brucellosis – 12:30-5:30pm; Stratford.

USAHA – Subcommittee on Brucellosis in the Greater Yellowstone Area – 12:30-5:30pm; Dover.

USAHA – Feral Swine Subcommittee on Brucellosis and Pseudorabies – 12:30-5:30pm; Royal Palm Salons 5 and 6.

USAHA – Committee on Food and Feed Safety – 1:00-5:00pm; Pacific Salons 1 and 2.

VS 2015 – Working Together to Shape the Future of Veterinary Services (VS):
An interactive session with VS leaders and the VS2015 Work Groups – 1:00-5:30pm; Windsor/Hampton.

AAVLD-NVSL – Proficiency Testing Committee – 1:00-3:00pm; Esquire.

USAHA – Mycoplasma and Infectious Laryngotracheitis Subcommittee on Transmissible Diseases of Poultry and Other Avian Species – 1:00-5:00pm; Pacific Salons 6 and 7.

AAVLD – Laboratory Safety Symposium and Committee Meeting – 12:30-5:30pm; Sunset.

AAVLD – Strategic Planning Committee – 3:00-6:00pm; Esquire.

USAHA – New Member Orientation – 5:00-6:00pm; Pacific Salons 4 and 5.

USAHA/AAVLD – President's Reception and Dinner – Atlas Ballroom.

Sponsored by IDEXX Laboratories

5:30pm Reception – Cash Bar

6:45pm President's Dinner
Presiding - David Steffen, AAVLD President
Donald Hoenig, USAHA President

6:45pm Invocation – Steven Halstead
Dinner

7:30pm Memorial Service – Richard Breitmeyer
Recognize Sponsor – Donald Hoenig
Sponsor's Response – Bill Goodspeed, IDEXX Laboratories
Welcome to California - A. G. Kawamura, Secretary, California Department of Food and Agriculture
Response to the Welcome – William Hartmann
USDA Deputy Undersecretary's Remarks –John Ferrell
USAHA President's Remarks – Donald Hoenig
AAVLD President's Remarks – David Steffen
Sponsor Acknowledgement – David Steffen, Don Hoenig
USAHA Medal of Distinction Award – Donald Hoenig
USDA-APHIS Administrator's Award – Cindy Smith
AAVLD Awards – Grant Maxie
E. P. Pope Award
Lifetime Membership Award
Graduate Student Awards: Best Presentation, Best Poster
Best Journal of Veterinary Diagnostic Investigation Paper
National Assembly of State Animal Health Officials Award – Guy Hohenhaus

Daily Events Monday, October 12

AAVLD – Past Presidents' Breakfast – 7:00-8:00am; Dover.

USAHA/AAVLD Scientific Session – 8:00am-12:00pm; Atlas Ballroom.

Emerging Vector-Borne Diseases: What's the Risk?

8:00am Introduction, N. James MacLachlan, Moderator, University of California-Davis.

8:15am Climate Change and Emerging Diseases: A Search for Patterns and Predictions in a Changing World – E. Paul Gibbs, University of Florida.

9:00am Impact of Bluetongue in Europe: A Recent Example of an Emerging Disease – Vincenzo Caporale, Istituto Zooprofilattico Sperimentale dell' Abruzzo, Italy.

9:45am Emergence of Bluetongue and Related Orbiviruses in the United States – David Stallknecht, University of Georgia.

10:00am Break

10:30am Unique Challenges to North America Posed by Emerging Diseases – Terry McElwain, Washington State University.

11:15am USDA Perspectives – John Clifford, Veterinary Services, USDA-APHIS.

11:45am Summation – Panel and Audience Discussion.

AAVLD – House of Delegates – 12:00-12:45pm; California.

USAHA – Membership Luncheon and Meeting – 12:00-12:30pm; Golden Ballroom.

Sponsored by Prionics, USA

Presiding, Donald Hoenig

Recognize Sponsor – Donald Hoenig

Sponsor's Response – Marcus Moser, Prionics

State of the Association – Donald Hoenig

Treasurer's Report – William Hartmann

Report of the Committee on Nominations – James Leafstedt

Other Business and Announcements

Directors of State Meat Inspection – 1:00-6:00pm; Pacific Salons 6 and 7.

USAHA – Committee on Bluetongue and Related Orbiviruses – 1:00-6:00pm; Royal Palm Salon 3.

USAHA – Committee on Brucellosis – 1:00-6:00pm; California Room.

USAHA – Committee on Import-Export – 1:00-6:00pm; San Diego.

USAHA – Committee on Infectious Diseases of Horses – 1:00-6:00pm; Pacific Salon 3.

USAHA – Committee on International Standards – 1:00-6:00pm; Pacific Salon 2.

USAHA – Committee on Transmissible Diseases of Poultry and Other Avian Species – 1:00-6:00pm; Golden West.

USAHA – Committee on Scientific Advisory Subcommittee on Tuberculosis – 1:00-6:00pm; Royal Palm Salons 5-6.

AAVLD – Committee Chairs and Program Committee – 1:30-3:30pm; Towne.

USAHA/AAVLD – Executive Committees – 3:30-5:00pm; Dover.

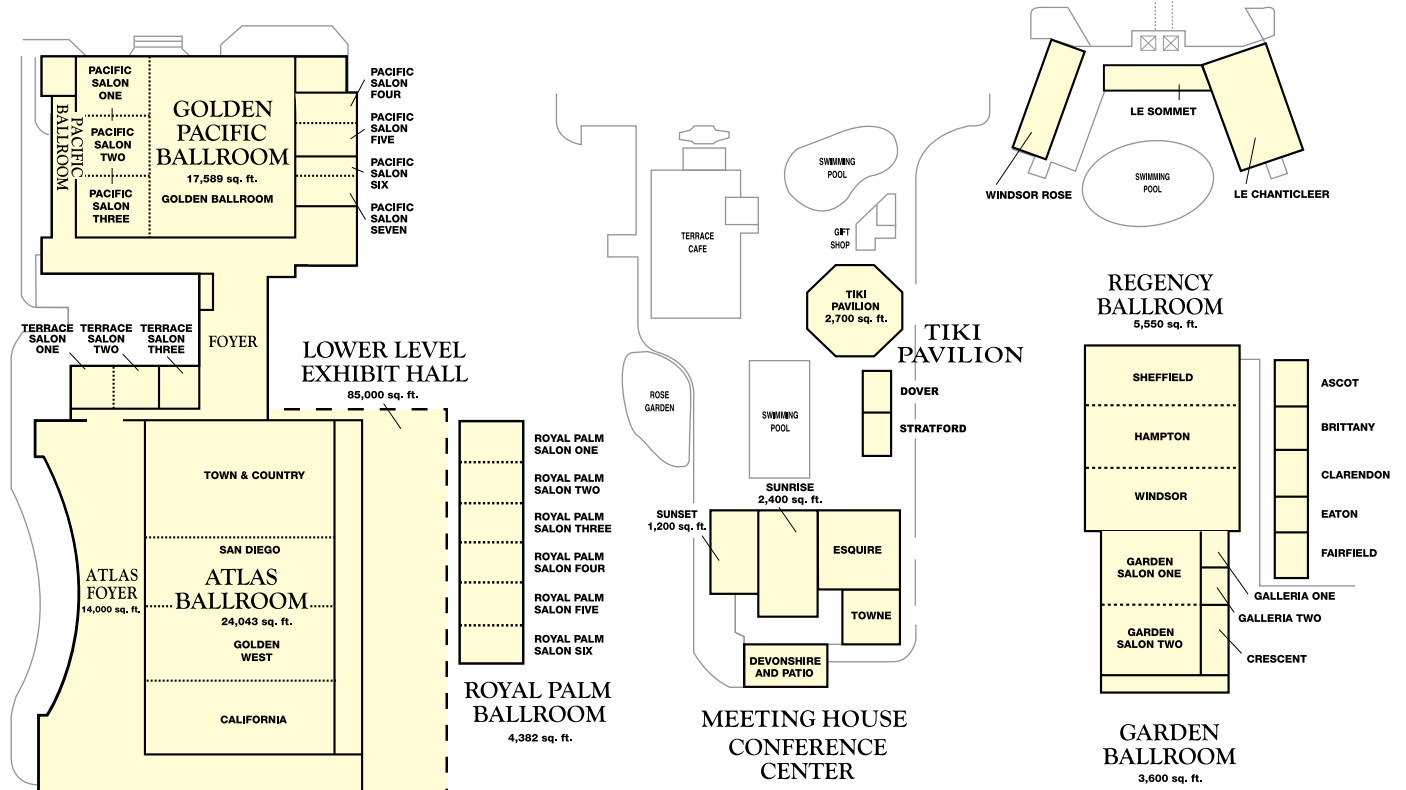
National Association of Federal Veterinarians – 5:30-8:00pm; Pacific Salon 1.

USAHA – Board of Directors – 6:00-7:00pm; Sunrise.

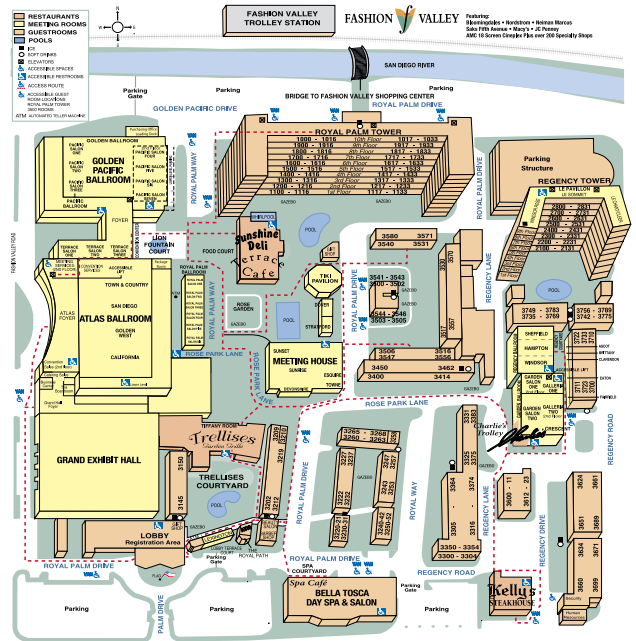
USAHA – Committee on Biologics and Biotechnology – 7:00-9:30pm; Pacific Salon 3.

USAHA – Committee on Diagnostic Laboratory and Veterinary Workforce Development – 7:00-9:30pm; San Diego.

Town and Country Meeting Rooms



Property Map



Daily Events

Tuesday, October 13

USAHA – Past Presidents' Breakfast – 7:30-9:30am; Devonshire.

USAHA – Committee on Brucellosis – 8:00am-12:00pm; California.

USAHA – Committee on Foreign and Emerging Diseases – 8:00am-5:30pm;
San Diego.

**Time Specific Paper
Committee on Foreign and Emerging Diseases**

10:00am - Novel H1N1 Influenza A Virus in Canadian Swine Herds
– Jim Clark, Canadian Food Inspection Agency

USAHA – Committee on Parasitic Diseases – 8:00am-12:00pm; Sunset.

USAHA – Committee on Pharmaceuticals – 8:00am-12:00pm; Towne.

USAHA – Committee on Tuberculosis – 8:00am-5:30pm; Town and Country.

**Time Specific Papers
Committee on Tuberculosis**

11:00am - Response of Sensitized Elk to Single Cervical Tuberculin (SCT) and Comparative Cervical Tuberculin (CCT) Tests – Shylo Johnson, USDA, APHIS

2:00pm - Differential Gene Expression Study of Bovine TB-Positive Cattle and Bovine TB Test-false Positive Cattle in Michigan
– Ailam Lim, Steve Bolin, Michigan State University

USAHA – Committee on Wildlife Diseases – 8:00am-12:00pm;

Royal Palm Salons 2, 3 and 4.

USDA-Agricultural Research Service Research Symposium – Integration of Veterinary Medicine and Entomology – 8:00am-12:00pm; Pacific Salon 1.

8:00am Introduction – Eileen Thacker and Daniel Strickman

8:30am Protist Pathogen Example: One-host Ticks and Bovine Babesiosis – Adalberto Perez De Leon, Donald Knowles

9:30am Break

10:00am Bacterial Pathogen Example: House Flies and Enteric Bacteria
Topic “Understanding the Enteric Pathogen/ Housefly Interactions and How they Relate to Disease Spread” – Jerome Hogsette, Peter Holt

10:30am Viral Pathogen Example: Mosquitoes and Rift Valley Fever
Topic: “Rift Valley Fever Virus Control: Integration of Virus, Host and Vector Studies” – James Mecham, Kenneth Linthicum

11:30am Conclusions and Practical Potential of Integrated Research and Practice
D. Strickman: For the Entomologist
E. Thacker: For the Veterinarian and Microbiologist

National Scrapie Oversight Board – 8:00am-12:00pm; Royal Palm Salons 5 and 6.

Directors of State Meat Inspection – 8:00am-5:30pm; Pacific Salons 6 and 7.

American Association of Avian Pathologist Liaison with AVMA – 10:00am-12:00pm; Dover.

USAHA – Committee on Scrapie – 12:30-5:30pm; Royal Palm Salons 5 and 6.

USAHA – Committee on Transmissible Diseases of Poultry and Other Avian Species – 12:30-5:30pm; Golden West.

USAHA – Committee on Transmissible Diseases of Swine – 12:30-5:30pm;
Royal Palm Salons 2, 3 and 4.

USAHA – Board of Directors – 6:00-7:00pm; Sunrise.

Daily Events

Wednesday, October 14

USAHA – Committee on Animal Welfare – 8:00am-12:00pm; Sunset.

USAHA – Committee on Livestock Identification – 8:00am-12:00pm; Golden West.

USAHA – Committee on Public Health and Rabies – 8:00am-12:00pm; California.

USAHA – Committee on Sheep and Goats – 8:00am-12:00pm; Town and Country.

USAHA – Membership Meeting – 2:00–3:30pm; San Diego.

USAHA – Board of Directors – Immediately Following Membership Meeting;
Sunrise.

USAHA – Executive Committee Meeting – 7:30pm; Towne.

2009 USAHA Committees

USAHA/AAVLD Committee on Animal Emergency Management

Co-Chairs: Keith Roehr, CO

Marilyn M. Simunich, ID

John B. Adams, VA; Bruce L. Akey, NY; Gary A. Anderson, KS; Joan M. Arnoldi, IL; Tammy R. Beckham, TX; Lisa Becton, IA; Gary L. Brickler, WA; Peggy K. Brinkman, IA; Shane A. Brookshire, GA; Suzanne L. Burnham, TX; Neville P. Clarke, TX; Matt H. Cochran, TX; Leslie E. Cole, OK; Thomas L. Cropper, TX; S. Peder Cuneo, AZ; Glenda S. Davis, AZ; Leah C. Dorman, OH; Bob Ehart, DC; Brigid N. Elchos, MS; Dee B. Ellis, TX; Francois C. Elvinger, VA; W. Kent Fowler, CA; Cyril G. Gay, MD; Lelve G. Gayle, TX; Jeffrey J. Hamer, NJ; Greg N. Hawkins, TX; Jan E. Hershenhouse, CA; Donald E. Hoenic, ME; Floyd P. Horn, MD; Pamela J. Hullinger, CA; Carla L. Huston, MS; Gregory P. Jillson, NM; Thomas R. Kasari, CO; Patrice N. Klein, MD; Anthony P. Knight, CO; Charlotte A. Krugler, SC; Elizabeth A. Lautner, IA; Randall L. Levings, IA; Martha A. Littlefield, LA; Barbara M. Martin, IA; Sarah J. Mason, NC; John Maulsby, CO; Thomas J. McGinn, III, DC; David L. Meeker, VA; Lee M. Myers, GA; Gene Nemechek, AR; Sandra K. Norman, IN; Kenneth E. Olson, IL; Kristy L. Pabilonia, CO; Boyd H. Parr, SC; Deidre A. Qual, ND; Jeanne M. Rankin, MT; Tom Ray, NC; Paul E. Rodgers, WV; James A. Roth, IA; John Rowden, CA; Mo D. Salman, CO; A. David Scarfe, IL; Gary B. Sherman, DC; Shari C. Silverman, NJ; Brian T. Smith, DC; Julia M. Smith, VT; Harry Snelson, NC; Nick J. Striegel, CO; George A. Teagarden, KS; Kerry Thompson, DC; Dave B. Tomkins, TX; Alfonso Torres, NY; Jesse L. Vollmer, ND; William C. Wagner, VA; Sherrilyn H. Wainwright, CO; Patrick Webb, IA; Stephen E. Weber, CO; Annette M. Whiteford, CA; Brad L. Williams, TX; John L. Williams, MD; Ellen M. Wilson, CA.

Committee Meeting – Saturday, 8:00am-5:00pm; Sunrise.

USAHA/AAVLD Committee on Animal Health Surveillance and Information Systems

Co-Chairs: James T. Case, CA

Francois C. Elvinger, VA

Bruce L. Akey, NY; Marianne Ash, IN; Debbie Barr, ON; Lisa Becton, IA; Stan D. Bruntz, CO; Craig N. Carter, KY; William L. Hartmann, MN; Jodi A. Hoynoski, VT; Brady James, TX; Elizabeth A. Lautner, IA; Janet E. Maass, CO; Kevin D. Maher, IA; Michael K. Martin, SC; Michael F. McGrath, IRL; James D. McKean, IA; Greg A. Onstott, MO; Andres Perez, CA; Deidre A. Qual, ND; Tom Ray, NC; Emi K. Saito, CO; Mo D. Salman, CO; A. David Scarfe, IL; Jack L. Schlater, IA; Shari C. Silverman, NJ; David Smith, NY; Glenn B. Smith, GA; Victor L. Velez, CA; Patrick Webb, IA; Stephen E. Weber, CO; Annette M. Whiteford, CA; Gary W. Wilson, OH; Nora E. Wineland, CO.

Committee Meeting – Sunday, 12:30-5:30pm; Pacific Salon 3.

Time Specific Paper

Committee on Animal Health Surveillance and Information Systems

2:00pm – New York State Cattle Health Assurance Program – John Huntley,
New York State Department of Agriculture and Markets

Committee on Animal Welfare

Chair: J. Amelita Facchiano, TX

Vice Chairs: Ria de Grassi, CA

Carolyn L. Stull, CA

Wilbur B. Amand, PA; Joan M. Arnoldi, IL; Chris D. Ashworth, AR; George P. Badley, AR; Matthew W. Breed, SC; Shane A. Brookshire, GA; Tom Burggren, IA; Beth W. Carlson, ND; Matt H. Cochran, TX; Leslie E. Cole, OK; Stephen R. Collett, GA; Timothy R. Cordes, MD; Stephen K. Crawford, NH; Glenda S. Davis, AZ; Ron DeHaven, IL; Linda A. Detwiler, NJ; Debra S. Duncan, KS; Reta K. Dyess, TX; Kathy D. Finnerty, NY; Katherine Flynn, CA; W. Kent Fowler, CA; Nancy A. Frank, MI; Julie A. Gard, AL; Chester A. Gipson, MD; Gail C. Golab, IL; Eric C. Gonder, NC; Steven L. Halstead, MI; Marlene Halverson, MN; Jeffrey J. Hamer, NJ; William R. Hare, MD; Bill Hawks, DC; Ernest P. Hovingh, PA; Danny R. Hughes, AR; Jamie S. Jonker, DC; Anthony P. Knight, CO; Daniel A. Kovich, VA; Steve K. Laughlin, OH; Carolyn Laughlin, OH; Cathy A. Liss, DC; Martha A. Littlefield, LA; Janet E. Maass, CO; John R. MacMillian, AR; Gordon 'Cobbie' Magness, SD; Amy W. Mann, VA; Chuck E. Massengill, MO; Terry R. Menlove, UT; Marshall Meyers, DC; L. Devon Miller, IN; Dana M. Miller, VA; Sherrie R. Niekamp, IA; Sandra K. Norman, IN; Elizabeth J. Parker, DC; Kristine R. Pettrini, MN; John R. Ragan, MD; Herbert M. Richards III, HI; M. Gatz Riddell, Jr., AL; Nancy J. Robinson, MO;

2009 USAHA Committees (cont.)

Keith Roehr, CO; John R. Scamahorn, IN; Shawn P. Schafer, ND; David D. Schmitt, IA; Dennis L. Schmitt, MO; Andy L. Schwartz, TX; James L. Schwartz, WY; Dale F. Schwindaman, MD; Shari C. Silverman, NJ; Philip Stayer, MS; Bruce N. Stewart-Brown, MD; Paul L. Sundberg, IA; George A. Teagarden, KS; Robert M. S. Temple, OH; Mary Kay Thatcher, DC; Kerry Thompson, DC; Bob Tully, KS; Charles D. Vail, CO; Gary M. Weber, MD; Annette M. Whiteford, CA; Norman G. Willis, CAN; Ellen M. Wilson, CA; Dennis J. Wilson, CA; Josh L. Winegarner, TX; Nora E. Wineland, CO; Richard W. Winters, Jr., TX; Michael J. Wood, VT; Ernest W. Zirkle, NJ.

Committee Meeting – Wednesday, 8:00am-12:00pm; Sunset.

USAHA/AAVLD Committee on Aquaculture **Co- Chairs: Andrew E. Goodwin, AR** **Kevin R. Snekvik, WA**

Marilyn Blair, ID; Deborah L. Brennan, MS; Stan D. Bruntz, CO; William W. Buisch, NC; Tony A. Caver, SC; Fred L. Cunningham, MS; Ria de Grassi, CA; Robert G. Ehlenfeldt, WI; John El-Attrache, TX; James M. Foppoli, HI; Nancy A. Frank, MI; Suzanne N. Gibbons-Burgener, WI; Jerry R. Heidel, OR; Donald E. Hoenic, ME; Frederic J. Hoerr, AL; Sherman W. Jack, MS; Myron J. Kebus, WI; Lester H. Khoo, MS; Kathy L. Kurth, WI; Scott E. LaPatra, ID; Scott Leach, CO; Tsang Long Lin, IN; John R. MacMillian, AR; Phillip M. Mamer, ID; Larry D. Mark, VA; Otis Miller, NC; Regg D. Neiger, SD; Lanny W. Pace, MS; Charles Palmer, CA; Kristine R. Petriani, MN; Nicholas B.D. Phelps, MN; Jill B. Rolland, MD; James A. Roth, IA; John P. Sanders, WV; A. David Scarfe, IL; Tara J. Schnell, WI; Jennifer A. Strasser, IN; Robert M. S. Temple, OH; Patricia W. Varner, TX; John L. Williams, MD; Norman G. Willis, CAN.

Committee Meeting – Sunday, 12:30-5:30pm; Royal Palm 3-4.

Committee on Audit **Chair: William L. Hartmann, MN**

Maxwell A. Lea, Jr., LA; Nancy J. Robinson, MO; Ernest W. Zirkle, NJ.

Committee Meeting – Sunday, 12:00-1:00pm, Devonshire.

Committee on Biologics and Biotechnology **Chair: Bob E. Pitts, GA** **Vice Chair: Vacant**

Gary A. Anderson, KS; Joan M. Arnoldi, IL; Charles A. Baldwin, GA; Yung Fu Chang, NY; James J. England, ID; James F. Evermann, WA; William H. Fales, MO; Robert W. Fulton, OK; Ted Girshick, CT; Keith N. Haffer, SD; Larry L. Hawkins, MO; Ruud G. Hein, DE; Richard E. Hill, IA; Joseph N. Huff, CO; Majon Huff, CO; Hiram N. Lasher, DE; Lloyd H. Lauerman, WA; John C. Lawrence, ME; Randall L. Levings, IA; David T. Marshall, NC; Sarah E. Mooney-Chalanganan, CA; Robert E. Pitts, WV; Nasir Hussain Shah, PAK; Deoki N. Tripathy, IL; Bob Tully, KS; Ellen M. Wilson, CA; James H. Wolfram, FL.

Committee Meeting – Monday, 7:00-9:30pm; Pacific Sal 3.

Committee on Bluetongue and Related Orbiviruses **Chair: N. James MacLachlan, CA** **Vice Chair: William C. Wilson, WY**

T. Lynwood Barber, CO; Shane A. Brookshire, GA; Charles E. Brown, II, WI; Joseph L. Corn, GA; Edward J. Dubovi, NY; James F. Evermann, WA; Robert W. Fulton, OK; Robert F. Gerlach, AK; Chester A. Gipson, MD; William L. Hartmann, MN; Larry L. Hawkins, MO; Robert B. Hillman, NY; Thomas J. Holt, FL; Oscar Kennedy, VA; Francine Lord, CAN; David T. Marshall, NC; Daniel G. Mead, GA; James O. Mecham, WY; Bennie I. Osburn, CA; Eileen N. Ostlund, IA; James E. Pearson, IA; Shawn P. Schafer, ND; Charly Seale, TX; David E. Stallknecht, GA; Susan W. Tellez, TX; George O. Winegar, MI.

Committee Meeting – Monday, 1:00-6:00pm; Royal Palm 3.

2009 USAHA Committees (cont.)

Committee on Brucellosis **Chair: Glenn E. Plumb, WY** **Vice Chair: Jim R. Logan, WY**

John B. Adams, VA; J Lee Alley, AL; Dan J. Anderson, TX; Neil J. Anderson, MT; George P. Badley, AR; Eric Barlow, WY; Bill Barton, ID; Claude E. Barton, TN; John B. Belfrage, CO; Carter Black, GA; Richard E. Breitmeyer, CA; Becky L. Brewer-Walker, OK; Max E. Coats, Jr., TX; Thomas F. Conner, OH; Walter E. Cook, WY; Ed Corrigan, WI; Donald S. Davis, TX; Leah C. Dorman, OH; Mark L. Drew, ID; Anita J. Edmondson, CA; Robert G. Ehlenfeldt, WI; Steven R. England, NM; Donald E. Evans, KS; Jon S. Fitch, AR; Dave E. Fly, NM; James M. Foppoli, HI; Tony G. Frazier, AL; Bob Frost, CA; Frank D. Galey, WY; Tam Garland, TX; Robert F. Gerlach, AK; Arnold A. Gertonson, CO; Michael J. Gilsdorf, MD; Linda Glaser, MN; L. Wayne Godwin, FL; Beth Harris, IA; William L. Hartmann, MN; Greg N. Hawkins, TX; Bob R. Hillman, TX; E. Ray Hinshaw, AZ; Sam D. Holland, SD; James H. Hollis, IN; Majon Huff, CO; Dennis A. Hughes, NE; David L. Hunter, MT; Jon G. Johnson, TX; Susan J. Keller, ND; Terry J. Kreeger, WY; John C. Lawrence, ME; Maxwell A. Lea, Jr., LA; Laurent O'Gene Lollis, FL; Phillip M. Mamer, ID; Bret D. Marsh, IN; Barbara M. Martin, IA; Chuck E. Messingill, MO; Paul J. McGraw, WI; Andrea Mikolon, CA; Henry I. Moreau, LA; Sherrie L. Nash, MT; Dustin P. Oedekoven, SD; Steven C. Olsen, IA; Elizabeth J. Parker, DC; Janet B. Payeur, IA; Clint Peck, MT; Valerie E. Ragan, MD; Tom Ray, NC; Jack C. Rhyan, CO; Nancy J. Robinson, MO; Keith Roehr, CO; Thomas J. Roffe, MT; Shawn P. Schafer, ND; David D. Schmitt, IA; Brant A. Schumaker, CA; Charly Seale, TX; Marilyn M. Simunich, ID; Robert C. Stout, KY; Paul L. Sundberg, IA; George A. Teagarden, KS; Lee Ann Thomas, MD; Kenneth J. Throlson, ND; Rick L. Wallen, WY; James A. Watson, MS; Gary M. Weber, MD; Diana L. Whipple, IA; P. J. White, WY; Margaret A. Wild, CO; Richard D. Willer, HI; Larry L. Williams, NE; Kyle W. Wilson, TN; Taylor H. Woods, MO; Ching-Ching Wu, IN; Marty A. Zaluski, MT; Glen L. Zebarth, MN.

Committee Meeting – Monday, 1:00-6:00pm; California.

Feral Swine Subcommittee on Brucellosis and Pseudorabies – Sunday, 12:30-5:30; Royal Palm 5-6.

Scientific Advisory Subcommittee on Brucellosis – Sunday, 12:30-5:30pm; Stratford.

Subcommittee on Brucellosis in Greater Yellowstone Area – Saturday, 12:30-5:30pm; Dover.

Committee on Captive Wildlife and Alternative Livestock **Chair: Michele A. Miller, FL** **Vice Chair: Robert Hilsenroth, FL**

Wilbur B. Amand, PA; Paul L. Anderson, MN; Mark W. Atkinson, NV; Daniel R. Baca, TX; Scott C. Bender, AZ; Warren Bluntzer, TX; Deborah L. Brennan, MS; Charles S. Brown, NC; Kristina Brunjes, KY; Beth W. Carlson, ND; William H. Clay, DC; Donald S. Davis, TX; Mark L. Drew, ID; Tim J. Feldner, MT; John R. Fischer, GA; Nancy A. Frank, MI; Richard A. French, NH; Tam Garland, TX; Robert F. Gerlach, AK; Paul Gibbs, FL; Colin M. Gillin, OR; Michael J. Gilsdorf, MD; Chester A. Gipson, MD; Dean E. Goeldner, MD; James R. Hail, OK; Greg N. Hawkins, TX; Sam D. Holland, SD; David L. Hunter, MT; John P. Huntley, NY; Sherman W. Jack, MS; Kevin Keel, GA; Karl G. Kinsel, TX; Patrice N. Klein, MD; Terry J. Kreeger, WY; Carolyn Laughlin, OH; Steve K. Laughlin, OH; Konstantin Lyashchenko, NY; John R. MacMillian, AR; Phillip M. Mamer, ID; David T. Marshall, NC; Leslie A. McFarlane, UT; Robert G. McLean, CO; Robert M. Meyer, CO; Andrea Mikolon, CA; L. Devon Miller, IN; Jeffrey T. Nelson, IA; Janet B. Payeur, IA; William R. Pittenger, MO; Michael R. Pruitt, OK; Chris V. Rathe, WA; Emi K. Saito, CO; Shawn P. Schafer, ND; David D. Schmitt, IA; Dennis L. Schmitt, MO; Stephen M. Schmitt, MI; Roy A. Schultz, IA; Andy L. Schwartz, TX; Charly Seale, TX; Daryl L. Simon, MN; Jonathan M. Sleeman, WI; Joe Starcher, WV; Cleve Tedford, TN; Robert M. S. Temple, OH; Brad Thurston, IN; Kimberly K. Wagner, WI; Rick Wahler, CO; Kenneth Waldrup, TX; Ray Waters, IA; Kyle W. Wilson, TN; Richard W. Winters, Jr., TX; Jill Bryar Wood, TX; Taylor H. Woods, MO; Glen L. Zebarth, MN.

Committee Meeting – Sunday, 12:30-5:30pm; Sunrise.

Committee on Diagnostic Laboratory and Veterinary Workforce Development **Co- Chairs: Bob Frost, CA** **Bennie I. Osburn, CA**

J Lee Alley, AL; Gary A. Anderson, KS; Joan M. Arnoldi, IL; Larry Barrett, NY; Tony A. Caver, SC; Mike Chaddock, DC; Neville P. Clarke, TX; John R. Clifford, DC; Karen Conyngnam, TX; Ron DeHaven, IL; James J. England, ID; Brian R. Evans, CAN; Peter J. Fernandez, AE; J. Pat Fitch, MD; Richard A. French, NH; Frank D. Galey, WY; Tam Garland, TX; Michael J. Gilsdorf, MD; William L. Hartmann, MN; Pamela J. Hullinger, CA; Paul Kitching, BC; Don P. Knowles, WA; Elizabeth A. Lautner, IA; Randall L. Levings,

2009 USAHA Committees (cont.)

IA; Bret D. Marsh, IN; Barbara M. Martin, IA; Grant M. Maxie, CAN; Richard H. McCapes, CA; Terry F. McElwain, WA; Doris M. Miller, GA; Gary D. Osweiler, IA; Donal T. O'Toole, WY; Kristy L. Pablonia, CO; Lanny W. Pace, MS; Elizabeth J. Parker, DC; Barbara E. Powers, CO; Dale E. Preston, TX; Willie M. Reed, IN; Y.M. Saif, OH; Emi K. Saito, CO; John R. Scamahorn, IN; A. David Scarfe, IL; Brian T. Smith, DC; Mark Spire, KS; David J. Steffen, NE; Alfonso Torres, NY; Richard D. Willer, HI; Dennis J. Wilson, CA; William C. Wilson, WY.

Committee Meeting – Monday, 7:00-9:00pm; San Diego.

Committee on Environment **Chair: Gary D. Osweiler, IA** **Vice Chair: Randall A. Lovell, MD**

Frank D. Galey, WY; L. Wayne Godwin, FL; John P. Honstead, CO; Laurent O'Gene Lollis, FL; David L. Meeker, VA; Gavin Meerdink, IL; Lee M. Myers, GA; Elizabeth J. Parker, DC; Jane F. Robens, MD; Gary M. Weber, MD

Committee Meeting – Saturday, 3:30-7:00pm; California.

Committee on Food and Feed Safety **Chair: Daniel E. Lafontaine, SC** **Vice Chair: Bonnie J. Buntain, AB, CAN**

David C. Ailor, DC; Deanna L. Baldwin, MD; Marilyn F. Balmer, MD; Joseph L. Blair, VA; Richard E. Breitmeyer, CA; Deborah L. Brennan, MS; Roy D. Brister, AR; Peggy N. Carter, VA; Tony A. Caver, SC; Max E. Coats, Jr., TX; Kevin G. Custer, IA; Glenda S. Davis, AZ; Ignacio T. dela Cruz, ; Reta K. Dyess, TX; Kathy D. Finnerty, NY; Robert F. Gerlach, AK; L. Wayne Godwin, FL; C. Ross Hamilton, TX; Larry L. Hawkins, MO; Jay Hawley, IN; Jan E. Hershenhouse, CA; Christine N. Hoang, IL; Donald E. Hoenig, ME; Kristin G. Holt, GA; Rex D. Holt, GA; Clyde B. Hoskins, SC; Danny R. Hughes, AR; John P. Huntley, NY; Susan J. Keller, ND; Sung G. Kim, NY; Spangler Klopp, DE; Elizabeth A. Lautner, IA; Laurent O'Gene Lollis, FL; Kelli S. Ludlum, DC; John R. MacMillian, AR; Bret D. Marsh, IN; David T. Marshall, NC; Kris Mazurczak, IL; James D. McKean, IA; Katherine M. McNamara, VT; David L. Meeker, VA; Andrea Mikolon, CA; Nicole Neeser, MN; Carol A. Olmstead, MT; Kenneth E. Olson, IL; Gary D. Osweiler, IA; Bob E. Pitts, GA; Gerardo Quaassdorff, VT; John R. Ragan, MD; James T. Rankin, Jr., PA; Jane F. Robens, MD; Nancy J. Robinson, MO; Leon H. Russell, Jr., TX; John P. Sanders, WV; Harry Snelson, NC; Rosemary A. Speers, VA; Philip Stayer, MS; Bruce N. Stewart-Brown, MD; James E. Stocker, NC; Stanley A. Stromberg, OK; H. Wesley Towers, DE; Liz K. Wagstrom, IA; Gary L. Waters, MT; Larry L. Williams, NE; Rob S. Williams, DC; Nora E. Wineland, CO; John F. Wortman, Jr., NM.

Committee Meeting – Sunday, 12:30-5:30pm; Pacific Salon 1-2.

Committee on Foreign and Emerging Diseases **Chair: Paul Gibbs, FL** **Vice Chair: Tammy R. Beckham, TX**

Helen M. Adland, PA; John B. Adams, VA; L. Garry Adams, TX; Bruce L. Akey, NY; Wilbur B. Amand, PA; Sandra Amass, IN; Gary A. Anderson, KS; Joan M. Arnoldi, IL; Marianne Ash, IN; George P. Badley, AR; Charles A. Baldwin, GA; Larry Barrett, NY; Lisa Becton, IA; Derek J. Belton, ; Bob H. Bokma, MD; Philip E. Bradshaw, IL; Richard E. Breitmeyer, CA; Deborah L. Brennan, MS; Becky L. Brewer-Walker, OK; Shane A. Brookshire, GA; Corrie C. Brown, GA; William W. Buisch, NC; Suzanne L. Burnham, TX; Jerry J. Callis, NY; Tony A. Caver, SC; Yung Fu Chang, NY; Nancy J. Chapman, MD; Neville P. Clarke, TX; Matt H. Cochran, TX; Leslie E. Cole, OK; Thomas F. Conner, OH; Joseph L. Corn, GA; Paula L. Cowen, CO; Stephen K. Crawford, NH; S. Peder Cuneo, AZ; Fred J. DeGraves, OH; Ignacio T. dela Cruz, ; Thomas J. DeLiberto, CO; Linda A. Detwiler, NJ; Leah C. Dorman, OH; Barbara S. Drolet, WY; Edward J. Dubovi, NY; Anita J. Edmondson, CA; Brigid N. Elchos, MS; Dee B. Ellis, TX; Francois C. Elvinger, VA; John I. Enck, Jr., PA; Heather L. Englekling, TX; Mac Farnham, MN; Peter J. Fernandez, AE; J. Pat Fitch, MD; James M. Foppoli, HI; Rose Foster, MO; W. Kent Fowler, CA; Anthony M. Gallina, FL; Tam Garland, TX; Cyril G. Gay, MD; Dorothy W. Geale, ON; Robert F. Gerlach, AK; Colin M. Gillin, OR; Linda Glaser, MN; Stephen W. Goldsmith, VA; Robert Ross Graham, VA; Nancy E. Halpern, NJ; Jeffrey J. Hamer, NJ; William R. Hare, MD; Greg N. Hawkins, TX; Larry L. Hawkins, MO; Ruud G. Hein, DE; Jan E. Hershenhouse, CA; Richard A. Hesse, KS; Richard E. Hill, IA; Donald E. Hoenig, ME; Sam D. Holland, SD; Thomas J. Holt, FL; Floyd P. Horn, MD; Dennis A. Hughes, NE; Pamela J. Hullinger, CA; John P. Huntley, NY; John L. Hyde, NY; Thomas R. Kasari, CO; Hailu

2009 USAHA Committees (cont.)

Kinde, CA; Gary O. Kinder, WV; Paul Kitching, BC; Patrice N. Klein, MD; Anthony P. Knight, CO; Charlotte A. Krugler, SC; Michael Langford, MD; Elizabeth A. Lautner, IA; John C. Lawrence, ME; Randall L. Levings, IA; David J. Ligda, IN; Tsang Long Lin, IN; Martha A. Littlefield, LA; Linda L. Logan, TX; Francine Lord, ON; Margie M. Lyness, GA; Janet E. Maass, CO; Edward T. Mallinson, MD; Bret D. Marsh, IN; Barbara M. Martin, IA; Sarah J. Mason, NC; Thomas J. McGinn, III, DC; Robert G. McLean, CO; James O. Mecham, WY; David L. Meeker, VA; Andrea Mikolon, CA; Gay Y. Miller, IL; Ricardo A. Munoz, TX; Fonda A. Munroe, ON; Thomas J. Myers, MD; Jim Niewold, IL; Sandra K. Norman, IN; James E. Novy, TX; Bruno Oesch, ; Kristy L. Pablonia, CO; Lanny W. Pace, MS; Charles Palmer, CA; Alejandro Perera, ; Andres Perez, CA; Gerardo Quaassdorff, VT; Deidre A. Qual, ND; Jack C. Rhyan, CO; Keith Roehr, CO; James A. Roth, IA; Emi K. Saito, CO; Mo D. Salman, CO; John P. Sanders, WV; A. David Scarfe, IL; Jack L. Schlater, IA; David D. Schmitt, IA; Dan J. Sheesley, DC; Shari C. Silverman, NJ; Marilyn M. Simunich, ID; Robert E. Smith, VA; Harry Snelson, NC; David L. Suarez, GA; Seth R. Swafford, CO; David E. Swayne, GA; R. Flint Taylor, NM; Cleve Tedford, TN; David Thain, NV; Lee Ann Thomas, MD; Brad Thurston, IN; Peter H. Timm, CA; Peter J. Timoney, KY; Alfonso Torres, NY; Susan C. Trock, NY; Paul O. Ugstad, NC; Jesse L. Vollmer, ND; Sherrilyn H. Wainwright, CO; Patrick Webb, IA; William R. White, NY; Annette M. Whiteford, CA; Margaret A. Wild, CO; Catherine L. Wilhelmsen, MD; Brad L. Williams, TX; John L. Williams, MD; Larry L. Williams, NE; Rob S. Williams, DC; Sharon Williams, AK; Norman G. Willis, ON; Saul T. Wilson, Jr., AL; Mark D. Wilson, FL; William C. Wilson, WY; George O. Winegar, MI; Josh L. Winegarner, TX; Richard W. Winters, Jr., TX.

Committee Meeting – Tuesday, 8:00am-5:30pm; San Diego.

Time Specific Paper **Committee on Foreign and Emerging Diseases**

10:00am - Novel H1N1 Influenza A Virus in Canadian Swine Herds – Jim Clark,
Canadian Food Inspection Agency

Committee on Government Relations **Chair: Steven L. Halstead, MI** **Vice Chair: David T. Marshall, NC**

Carter Black, GA; Richard E. Breitmeyer, CA; Stephen K. Crawford, NH; Leonard E. Eldridge, WA; William L. Hartmann, MN; Christine N. Hoang, IL; Donald E. Hoenig, ME; Dennis A. Hughes, NE; James W. Leafstedt, SD; David L. Meeker, VA; Bill Sauble, NM; Brian T. Smith, DC.

Committee Meeting – On call of the Chair.

Committee on Import-Export **Chair: Charles E. Brown, II, WI** **Vice Chair: George O. Winegar, MI**

Bobby R. Acord, NC; Bob H. Bokma, MD; John L. Braly, CO; Stan D. Bruntz, CO; Suzanne L. Burnham, TX; Timothy R. Cordes, MD; Linda A. Detwiler, NJ; Effingham Embree, Jr., IL; Mark J. Engle, TN; J. Amelita Facciano, TX; William H. Fales, MO; Bob Frost, CA; Julie A. Gard, AL; Chester A. Gipson, MD; Robert B. Hillman, NY; Robert Hilsenroth, FL; Donald E. Hoenig, ME; Floyd P. Horn, MD; Oscar Kennedy, VA; Ralph C. Knowles, FL; Elizabeth A. Lautner, IA; Amy W. Mann, VA; Richard D. Mitchell, CT; Sarah E. Mooney-Chalanganan, CA; Elizabeth J. Parker, DC; James E. Pearson, IA; William R. Pittenger, MO; Gerardo Quaassdorff, VT; Paul E. Rodgers, WV; A. David Scarfe, IL; Susan W. Tellez, TX; Lynn A. Tesar, SD; Lee Ann Thomas, MD; Kerry Thompson, DC; Peter J. Timoney, KY; Paul O. Ugstad, NC; Charles D. Vail, CO; James A. Watson, MS; Gary M. Weber, MD; Roger E. Weigle, WI; William R. White, NY; William C. Wilson, WY; David W. Winters, TX; Richard W. Winters, Jr., TX; Cindy B. Wolf, MN.

Committee Meeting – Monday, 1:00-6:00pm; San Diego.

Committee on Infectious Diseases of Cattle, Bison and Camelids **Chair: James F. Evermann, WA** **Vice Chair: Chuck E. Massengill, MO**

Chris D. Ashworth, AR; Beth W. Carlson, ND; Karen Conyngham, TX; Stephen K. Crawford, NH; Daniel T. Crowell, NV; Edward J. Dubovi, NY; Anita J. Edmondson, CA; Bob Frost, CA; Robert W. Fulton, OK; Jennifer L. Greiner, DC; Dale M. Grotelueschen, NE; Del E. Hensel, CO; David L. Hunter,

2009 USAHA Committees (cont.)

MT; John C. Lawrence, ME; James W. Leafstedt, SD; Howard D. Lehmkuhl, IA; Janet E. Maass, CO; Annette M. O'Connor, IA; Jeanne M. Rankin, MT; R. Flint Taylor, NM; George A. Teagarden, KS; Susan W. Tellez, TX; Robert M. S. Temple, OH; Brad L. Williams, TX; William C. Wilson, WY.

Committee Meeting – Sunday, 12:30-5:30pm; Royal Palm 2.

Committee on Infectious Diseases of Horses

Chair: W. Kent Fowler, CA

Vice Chair: James A. Watson, MS

Helen M. Acland, PA; George P. Badley, AR; Debbie Barr, ON; Timothy Bartlett, IN; Derek J. Belton, ; Carter Black, GA; Shane A. Brookshire, GA; Suzanne L. Burnham, TX; Colleen C. Calderwood, DC; Clarence L. Campbell, FL; Craig N. Carter, KY; Tony A. Caver, SC; Max E. Coats, Jr., TX; Timothy R. Cordes, MD; Stephen K. Crawford, NH; Glenda S. Davis, AZ; Edward J. Dubovi, NY; Leonard E. Eldridge, WA; Dee B. Ellis, TX; J. Amelita Facchiano, TX; Dave E. Fly, NM; Katherine Flynn, CA; Tony G. Frazier, AL; Robert F. Gerlach, AK; Paul Gibbs, FL; Nancy E. Halpern, NJ; Steven L. Halstead, MI; Jeffrey J. Hamer, NJ; Timothy J. Hanosh, NM; Greg N. Hawkins, TX; Carl Heckendorf, CO; Michael E. Herrin, OK; Robert B. Hillman, NY; Don P. Knowles, WA; Ralph C. Knowles, FL; Maxwell A. Lea, Jr., LA; Donald H. Lein, NY; Mary J. Lis, CT; Martha A. Littlefield, LA; Francine Lord, ON; Amy W. Mann, VA; Patrick L. McDonough, NY; Richard D. Mitchell, CT; Donald S. Munro, PA; Sandra K. Norman, IN; Don L. Nottter, KY; Eileen N. Ostlund, IA; Robert E. Pitts, WV; Jewell G. Plumley, WV; Jeanne M. Rankin, MT; Keith Roehr, CO; Earl Rogers, UT; Dennis L. Schmitt, MO; Michael A. Short, FL; Shari C. Silverman, NJ; Robert C. Stout, KY; R. Flint Taylor, NM; David Thain, NV; Kerry Thompson, DC; Peter J. Timoney, KY; Susan C. Trock, NY; Charles D. Vail, CO; Mark A. Wheelis, TX; Taylor H. Woods, MO; Ernest W. Zirkle, NJ.

Committee Meeting – Monday, 1:00-6:00pm; Pacific Salon 3.

Committee on International Standards

Chair: Richard D. Willer, HI

Vice Chair: Norman G. Willis, CAN

Joan M. Arnoldi, IL; Debbie Barr, CAN; Corrie C. Brown, GA; Stan D. Bruntz, CO; Tony A. Caver, SC; John R. Clifford, DC; Karen Conyngham, TX; Michael J. David, MD; Ron DeHaven, IL; Brian R. Evans, ON; Peter J. Fernandez, AE; John R. Fischer, GA; Bob Frost, CA; Cyril G. Gay, MD; Paul Gibbs, FL; Donald E. Hoenic, ME; Pamela Luisa Ibarra, DF; Paul Kitching, BC; Elizabeth A. Lautner, IA; Randall L. Levings, IA; Linda L. Logan, TX; John R. MacMillian, AR; Bret D. Marsh, IN; Andrea Mikolon, CA; Andrea Mikolon, CA; Fonda A. Munroe, ON; Elizabeth J. Parker, DC; Alejandro Perera, ; Jill B. Rolland, MD; James A. Roth, IA; Mo D. Salman, CO; A. David Scarfe, IL; Peter J. Timoney, KY; Alfonso Torres, NY; Matthew T. Torres, MD; Jesse L. Vollmer, ND; Stephen E. Weber, CO; Annette M. Whiteford, CA; John L. Williams, MD; Rob S. Williams, DC.

Committee Meeting – Monday, 1:00-6:00pm; Pacific Salon 2.

Committee on John's Disease

Chair: Andy L. Schwartz, TX

Vice Chair: Elisabeth Patton, WI

John B. Adams, VA; J. Bruce Addison, MO; Paul L. Anderson, MN; Robert D. Angus, ID; Joe B. Baker, NM; Marilyn F. Balmer, MD; Richard E. Breitmeyer, CA; Charles E. Brown, II, WI; Todd M. Byrem, MI; Yung Fu Chang, NY; Michael T. Collins, WI; Thomas F. Conner, OH; Ed Corrigan, WI; Stephen K. Crawford, NH; Ned A. Cunningham, OH; Ria de Grassi, CA; Anita J. Edmondson, CA; Robert G. Ehlenfeldt, WI; John I. Enck, Jr., PA; William H. Fales, MO; Kathy D. Finnerty, NY; Keith R. Forbes, NV; Geoffrey T. Fosgate, TX; Charles P. Fossler, CO; Bob Frost, CA; L. Wayne Godwin, FL; Jeffrey J. Hamer, NJ; William R. Hare, MD; Beth Harris, IA; William L. Hartmann, MN; Linda Hickam, MO; Donald E. Hoenic, ME; Sam D. Holland, SD; John P. Honstead, CO; Ernest P. Hovingh, PA; David L. Hunter, MT; Jamie S. Jonker, DC; Karen R. Jordan, NC; Susan J. Keller, ND; Sung G. Kim, NY; Bruce L. Lamb, IN; John C. Lawrence, ME; Donald H. Lein, NY; Tsang Long Lin, IN; Mary J. Lis, CT; Laurent O'Gene Lollis, FL; Vader M. Loomis, PA; Gordon 'Cobbie' Magness, SD; Beth E. Mamer, ID; Chuck E. Massengill, MO; Chris W. Murdock, MO; Dustin P. Oedekoven, SD; Kenneth E. Olson, IL; Jason B. Osterstock, TX; Lanny W. Pace, MS; Elizabeth J. Parker, DC; Boyd H. Parr, SC; Janet B. Payeur, IA; Kristine R. Petriani, MN; Jewell G. Plumley, WV; Michael R. Pruitt, OK; Suelsee Robbe-Austerman, IA; Paul E. Rodgers, WV;

2009 USAHA Committees (cont.)

Allen J. Roussel, Jr., TX; Patty B. Scharko, KY; Sarah B. S. Shapiro Hurley, WI; William P. Shulaw, OH; Marilyn M. Simunich, ID; Shri N. Singh, KY; Ben Smith, WA; Judith R. Stabel, IA; Cleve Tedford, TN; Robert M. S. Temple, OH; Charles O. Thoen, IA; Brad Thurston, IN; Jesse L. Vollmer, ND; James A. Watson, MS; Gary M. Weber, MD; Scott J. Wells, MN; Diana L. Whipple, IA; Robert H. Whitlock, PA; George O. Winegar, MI; Michael J. Wood, VT; Ching-Ching Wu, IN.

Committee Meeting – Sunday, 12:30-5:30pm; Golden West.

Scientific Advisory Subcommittee on John's – Thursday, 2:00-4:00pm; Royal Palm 5.

John's Working Group – Friday, 8:00am-5:00pm; California.

Committee on Livestock Identification

Chair: Tony M. Forshey, OH

Vice Chair: Kevin D. Maher, IA

J Lee Alley, AL; Joan M. Arnoldi, IL; Lowell R. Barnes, IN; Bill Barton, ID; Carter Black, GA; John L. Braly, CO; Richard E. Breitmeyer, CA; Paul W. Brennan, IN; Becky L. Brewer-Walker, OK; James T. Case, CA; Karen Conyngham, TX; Fred L. Cunningham, MS; Anita J. Edmondson, CA; James J. England, ID; J. Amelita Facchiano, TX; Glenn K. Fischer, TX; Robert H. Fourdraine, WI; W. Kent Fowler, CA; Tony G. Frazier, AL; L. Wayne Godwin, FL; Randy R. Green, DC; Jennifer L. Greiner, DC; Steven L. Halstead, MI; Jeffrey J. Hamer, NJ; Neil E. Hammerschmidt, MD; William L. Hartmann, MN; Greg N. Hawkins, TX; Bill Hawks, DC; Jay Hawley, IN; Carl Heckendorf, CO; Bob R. Hillman, TX; Sam D. Holland, SD; Jodi A. Hoynoski, VT; Joseph N. Huff, CO; Jon G. Johnson, TX; Susan J. Keller, ND; Ralph C. Knowles, FL; Maxwell A. Lea, Jr., LA; James W. Leafstedt, SD; Jim R. Logan, WY; Laurent O'Gene Lollis, FL; Kelli S. Ludlum, DC; Amy W. Mann, VA; Bret D. Marsh, IN; David T. Marshall, NC; Jay M. Mattison, WI; John Mulsby, CO; Paul J. McGraw, WI; Terry R. Menlove, UT; Ernie A. Morales, TX; Henry I. Moreau, LA; Jim Niewold, IL; Kenneth E. Olson, IL; Elizabeth J. Parker, DC; Boyd H. Parr, SC; Holly J. Pecetti, NV; John R. Ragan, MD; Valerie E. Ragan, MD; Jeanne M. Rankin, MT; Tom Ray, NC; Nancy J. Robinson, MO; Keith Roehr, CO; Joe D. Ross, TX; Bill Sauble, NM; Shawn P. Schafer, ND; Charly Seale, TX; Mark J. Shaw, TX; Rick L. Sibbel, IA; Glenn B. Smith, GA; Mark Spire, KS; Joe Starcher, WV; Robert C. Stout, KY; Scott Stuart, CO; Paul L. Sundberg, IA; Kerry Thompson, DC; Victor L. Velez, CA; Liz K. Wagstrom, IA; Rick Wahler, CO; James A. Watson, MS; Patrick Webb, IA; Gary M. Weber, MD; John L. Williams, MD; Gary W. Wilson, OH; Josh L. Winegarmer, TX; Cindy B. Wolf, MN; Taylor H. Woods, MO; John F. Wortman, Jr., NM; Glen L. Zebarth, MN; Ernest W. Zirkle, NJ.

Committee Meeting – Wednesday, 8:00am-12:00pm; Golden West.

USAHA/AAVLD Committee on National Animal Health Laboratory Network

Co-Chairs: Barbara E. Powers, CO; Richard E. Breitmeyer, CA

Vice Chairs: Terry F. McElwain, WA; David T. Marshall, NC

Bruce L. Akey, NY; Bill Barton, ID; Tammy R. Beckham, TX; James T. Case, CA; Tony A. Caver, SC; Patrick G. Halbur, IA; Sharon K. Hietala, CA; Bob R. Hillman, TX; Pamela J. Hullinger, CA; Jay Kammerzell, CO; Barbara M. Martin, IA; Thomas S. McKenna, WI; Lanny W. Pace, MS; Elizabeth J. Parker, DC; Robert H. Poppenga, CA; Harry Snelson, NC; Bruce N. Stewart-Brown, MD; George A. Teagarden, KS.

Committee Meeting – Sunday, 12:00-3:00pm; Towne.

Committee on Nominations and Resolutions

Chair: James W. Leafstedt, SD

J Lee Alley, AL; Carter Black, GA; Philip E. Bradshaw, IL; Jones W. Bryan, SC; Clarence L. Campbell, FL; Stephen K. Crawford, NH; Leonard E. Eldridge, WA; Joe B. Finley, TX; Bob Frost, CA; Thomas J. Hagerty, MN; Bob R. Hillman, TX; Dennis A. Hughes, NE; Maxwell A. Lea, Jr., LA; Donald H. Lein, NY; Bret D. Marsh, IN; Michael R. Marshall, UT; Richard H. McCapes, CA; John R. Ragan, MD; Glenn B. Rea, OR; John C. Shook, PA; H. Wesley Towers, ED; Max A. Van Buskirk, PA; Richard D. Willer, HI; Larry L. Williams, NE; Ernest W. Zirkle, NJ.

Committee Meeting – On call of the Chair.

2009 USAHA Committees (cont.)

Committee on Parasitic Diseases

Chair: Joseph L. Corn, GA

Vice Chair: J. Mathews Pound, TX

Bob H. Bokma, MD; Corrie C. Brown, GA; Matt H. Cochran, TX; Anita J. Edmondson, CA; Dee B. Ellis, TX; Chester A. Gipson, MD; Larry L. Hawkins, MO; Bob R. Hillman, TX; Thomas J. Holt, FL; Pamela Luisa Ibarra, DF; Ralph C. Knowles, FL; Charlotte A. Krugler, SC; Linda L. Logan, TX; Kim Lohmeyer, TX; Terry F. McElwain, WA; Daniel G. Mead, GA; Andrea Mikolon, CA; Ernie A. Morales, TX; Don L. Notter, KY; James E. Novy, TX; Alejandro Perera, MEX; Dale E. Preston, TX; Shawn P. Schafer, ND; Jack L. Schlater, IA; Charly Seale, TX; Robert C. Stout, KY; Lee Ann Thomas, MD; Paul O. Ugstad, NC; Sherrilyn H. Wainwright, CO; Kenneth Waldrup, TX; James A. Watson, MS; David W. Winters, TX.

Committee Meeting – Tuesday, 8:00am-12:00pm; Sunset.

Committee on Pharmaceuticals

Chair: James R. Bradford, MI

Vice Chair: Christine N. Hoang, IL

Tom Burkgen, IA; Steven R. Clark, NC; Richard L. Dutton, NE; William H. Fales, MO; Jennifer L. Greiner, DC; Larry L. Hawkins, MO; Richard E. Hill, IA; Donald E. Hoeng, ME; Philip M. Maynard, AR; Amber M. McCoig, MD; Patrick L. McDonough, NY; James D. McKean, IA; M. Gatz Riddell, Jr., AL; A. David Scarfe, IL; Mike K. Senn, KS; Paul L. Sundberg, IA; R. Flint Taylor, NM; Liz K. Wagstrom, IA; Ellen M. Wilson, CA; Ching-Ching Wu, IN.

Committee Meeting – Tuesday, 8:00am-12:00pm; Towne.

Committee on Program

Chair: Richard E. Breitmeyer, CA

Vice Chair: Steven L. Halstead, MI

James R. Bradford, MI; Charles E. Brown, II, WI; James T. Case, CA; Kathleen M. Connell, WA; Joseph L. Corn, GA; William F. Edmiston Jr. DVM, TX; Francois C. Elvinger, VA; Mark J. Engle, TN; James F. Evermann, WA; J. Amelita Fachiano, TX; Tony M. Forshey, OH; W. Kent Fowler, CA; Nancy A. Frank, MI; Bob Frost, CA; Paul Gibbs, FL; Andrew E. Goodwin, AR; William L. Hartmann, MN; Julie D. Helm, SC; Donald E. Hoeng, ME; Daniel E. Lafontaine, SC; James W. Leafstedt, SD; N. James MacLachlan, CA; David T. Marshall, NC; Patrick L. McDonough, NY; David L. Meeker, VA; Michele A. Miller, FL; Bennie I. Osburn, CA; Gary D. Osweiler, IA; Charles Palmer, CA; Bob E. Pitts, GA; Glenn E. Plumb, WY; Barbara E. Powers, CO; Keith Roehr, CO; Stephen M. Schmitt, MI; Andy L. Schwartz, TX; Marilyn M. Simunich, ID; Kevin R. Snekvik, WA; Richard D. Willer, HI.

Committee Meeting – Saturday, 6:00-8:30pm; Royal Palm 2-3.

Committee on Public Health and Rabies

Chair: Nancy A. Frank, MI

Vice Chair: Sandra K. Norman, IN

Helen M. Acland, PA; Scott C. Bender, AZ; Sue K. Billings, KY; Shane A. Brookshire, GA; Charles S. Brown, NC; William H. Clay, DC; Joseph L. Corn, GA; Donald S. Davis, TX; Ignacio T. dela Cruz, ; Thomas J. DeLiberto, CO; Leslie A. Dierauf, WI; Michael R. Dunbar, CO; Brigid N. Elchos, MS; James M. Foppoli, HI; Keith N. Haffer, SD; Cathleen A. Hanlon, NY; Richard E. Hill, IA; Christine N. Hoang, IL; Donald E. Hoeng, ME; Kristin G. Holt, GA; John P. Honstead, CO; Sherman W. Jack, MS; Patrice N. Klein, MD; Spangler Klopp, DE; Donald H. Lein, NY; Martha A. Littlefield, LA; Margie M. Lyness, GA; Robert G. McLean, CO; David L. Meeker, VA; Lee M. Myers, GA; Marguerite Pappaioanou, DC; Kristine R. Petrin, MN; Deidre A. Qual, ND; Anette Rink, NV; Leon H. Russell, Jr., TX; John P. Sanders, WY; Tom J. Sidwa, TX; Robert H. Singer, CA; Dennis Slate, NH; Paul L. Sundberg, IA; Seth R. Swafford, CO; Liz K. Wagstrom, IA; Margaret A. Wild, CO; Dennis J. Wilson, CA.

Committee Meeting – Wednesday, 8:00am-12:00pm; California.

2009 USAHA Committees (cont.)

Committee on Salmonella

Chair: Patrick L. McDonough, NY

Vice Chair: Doug Waltman, GA

Deanna L. Baldwin, MD; Marilyn F. Balmer, MD; Richard E. Breitmeyer, CA; Max Brugh, GA; Jones W. Bryan, SC; Tony A. Caver, SC; Yung Fu Chang, NY; Stephen R. Collett, GA; Kevin G. Custer, IA; Sherrill Davison, PA; John I. Enck, Jr., PA; James M. Foppoli, HI; Rose Foster, MO; Tony G. Frazier, AL; Richard K. Gast, GA; Eric N. Gingerich, PA; Randy R. Green, DC; Jean Guard-Bouldin, GA; Ruud G. Hein, DE; Bill W. Hewat, AR; Danny R. Hughes, AR; Hailu Kinde, CA; Dale C. Lauer, MN; Elizabeth A. Lautner, IA; Howard M. Magwire, MD; Edward T. Mallinson, MD; Beth E. Mamer, ID; Sarah J. Mason, NC; Philip M. Maynard, AR; James D. McKean, IA; Hugo Medina, MN; David L. Meeker, VA; Donald S. Munro, PA; Thomas J. Myers, MD; Kakambi V. Nagaraja, MN; Steven H. Olson, MN; Stephen Pretanik, DC; John P. Sanders, WY; H. L. Shivaprasad, CA; Philip Stayer, MS; Bruce N. Stewart-Brown, MD; Hilary S. Thesmar, DC; H. Fred Troutt, IL; Bob Tully, KS; Liz K. Wagstrom, IA; Gary L. Waters, MT; Scott J. Wells, MN; Nora E. Wineland, CO; Ching-Ching Wu, IN.

Committee Meeting – Sunday, 12:30-5:30pm; California.

Committee on Scrapie

Chair: Charles Palmer, CA

Vice Chair: Kristine R. Petrin, MN

Deborah L. Brennan, MS; Shane A. Brookshire, GA; Marie S. Bulgin, ID; Beth W. Carlson, ND; John R. Clifford, DC; Thomas F. Conner, OH; Walter E. Cook, WY; Linda A. Detwiler, NJ; Nancy E. East, CA; William F. Edmiston Jr. DVM, TX; Anita J. Edmondson, CA; Dee B. Ellis, TX; Dave E. Fly, NM; Keith R. Forbes, NV; Michael J. Gilsdorf, MD; William L. Hartmann, MN; Susan J. Keller, ND; James W. Leafstedt, SD; Mary J. Lis, CT; Jim R. Logan, WY; Michael R. Marshall, UT; Cheryl A. Miller, IN; Jewell G. Plumley, WY; Stanley R. Potratz, IA; Michael R. Pruitt, OK; Anette Rink, NV; Paul E. Rodgers, WY; Joe D. Ross, TX; Ben Smith, WA; Diane L. Sutton, MD; Lynn A. Tesar, SD; Hector E. Webster, CA; Stephen N. White, WA; Nora E. Wineland, CO; David W. Winters, TX; Cindy B. Wolf, MN.

Committee Meeting – Tuesday, 12:30-5:30pm; Royal Palm 5-6.

Committee on Sheep and Goats

Chair: William F. Edmiston Jr., TX

Vice Chair: Don P. Knowles, WA

Derek J. Belton, NZ; Scott C. Bender, AZ; Deborah L. Brennan, MS; Marie S. Bulgin, ID; John R. Clifford, DC; Max E. Coats, Jr., TX; Thomas F. Conner, OH; Linda A. Detwiler, NJ; Nancy E. East, CA; Anthony M. Gallina, FL; Chester A. Gipson, MD; Jeffrey J. Hamer, NJ; Joseph N. Huff, CO; Paul L. Jones, OR; James W. Leafstedt, SD; Howard D. Lehmkuhl, IA; Mary J. Lis, CT; Jim R. Logan, WY; Linda L. Logan, TX; Gordon 'Cobbie' Magness, SD; David T. Marshall, NC; Michael R. Marshall, UT; Cheryl A. Miller, IN; Ron C. Miller, PA; Charles Palmer, CA; Kristine R. Petrin, MN; Michael R. Pruitt, OK; Anette Rink, NV; Suelee Robbe-Austerman, IA; Paul E. Rodgers, WY; Joe D. Ross, TX; Joan D. Rowe, CA; Mo D. Salman, CO; William P. Shulaw, OH; Ben Smith, WA; Diane L. Sutton, MD; Cleve Tedford, TN; David Thain, NV; Peter H. Timm, CA; Hector E. Webster, CA; Ellen M. Wilson, CA; George O. Winegar, MI; Nora E. Wineland, CO; David W. Winters, TX; Cindy B. Wolf, MN.

Committee Meeting – Wednesday, 8:00am-12:00pm, Town and Country.

Committee on Transmissible Diseases of Poultry and Other Avian Species

Chair: Julie D. Helm, SC

Vice Chair: Marion Garcia, AZ

Bruce L. Akey, NY; John K. Atwell, NC; George P. Badley, AR; Deanna L. Baldwin, MD; Marilyn F. Balmer, MD; Sue K. Billings, KY; Richard E. Breitmeyer, CA; Deborah L. Brennan, MS; Paul W. Brennan, IN; Max Brugh, GA; Tony A. Caver, SC; Bruce R. Charlton, CA; Steven R. Clark, NC; Max E. Coats, Jr., TX; Stephen R. Collett, GA; Jimmy Collie, NC; Sherrill Davison, PA; Thomas J. DeLiberto, CO; Richard L. Dutton, NE; Aly M. Fady, MI; Tony M. Forshey, OH; Rose Foster, MO; Hashim M. Ghori, AR; Eric N. Gingerich, PA; Eric C. Gonder, NC; Tanya D. Graham, SD; Randy R. Green, DC; James C. Grimm, TX; Scott J. Gustin, AR; Nancy E. Halpern, NJ; David A. Halvorson, MN; Jeffrey J.

2009 USAHA Committees (cont.)

Hamer, NJ; William L. Hartmann, MN; Ruud G. Hein, DE; Michael E. Herrin, OK; Bill W. Hewat, AR; Donald E. Hoenig, ME; Frederic J. Hoerr, AL; Guy S. Hohenhaus, MD; Floyd P. Horn, MD; Danny R. Hughes, AR; Dennis A. Hughes, NE; John P. Huntley, NY; Mark W. Jackwood, GA; Eric L. Jensen, AL; Hailu Kinde, CA; Gary O. Kinder, WV; Ronald G. King, VA; Patrice N. Klein, MD; Spangler Klopp, DE; Michael D. Kopp, IN; Elizabeth A. Krushinskie, VA; Hiram N. Lasher, DE; Dale C. Lauer, MN; Chang-Won Lee, OH; Randall L. Levings, IA; David J. Ligda, IN; Tsang Long Lin, IN; Jose A. Linares, TX; Mary J. Lis, CT; Martha A. Littlefield, LA; Howard M. Magwire, MD; Edward T. Mallinson, MD; David T. Marshall, NC; Sarah J. Mason, NC; Philip M. Maynard, AR; Robert G. McLean, CO; Hugo Medina, MN; Andrea Mikolon, CA; Andrea M. Miles, NC; Dana M. Miller, VA; Gay Y. Miller, IL; Ricardo A. Munoz, TX; Donald S. Munro, PA; Lee M. Myers, GA; Thomas J. Myers, MD; Steven H. Olson, MN; Kristy L. Pablonia, CO; Mary J. Pantin-Jackwood, GA; James E. Pearson, IA; Jewell G. Plumley, WV; Michael Poulos, CA; James T. Rankin, Jr., PA; Willie M. Reed, IN; G. Donald Ritter, DE; Thomas J. Roffe, MT; A. Gregorio Rosales, AL; Michael L. Rybolt, DC; Y.M. Saif, OH; John P. Sanders, WV; David D. Schmitt, IA; Andy L. Schwartz, TX; Nasir Hussain Shah, ; Jack A. Shere, NC; H. L. Shivaprasad, CA; Shari C. Silverman, NJ; Marilyn M. Simunich, ID; John A. Smith, GA; Joe Starcher, WV; Philip Stayer, MS; Bruce N. Stewart-Brown, MD; David L. Suarez, GA; Seth R. Swafford, CO; David E. Swayne, GA; Hilary S. Thesmar, DC; H. Wesley Towers, DE; Deoki N. Tripathy, IL; Susan C. Trock, NY; Patricia S. Wakenell, IN; Don W. Waldrip, GA; Doug Waltman, GA; Gary L. Waters, MT; James A. Watson, MS; Stephen E. Weber, CO; Annette M. Whiteford, CA; Michael J. Wood, VT; Ching-Ching Wu, IN; Ernest W. Zirkle, NJ.

Committee Meeting – Monday, 1:00-6:00pm; Golden West. Tuesday, 12:30-5:30pm; Golden West.

Mycoplasma and Infection Laryngotracheitis Subcommittee – Sunday, 12:30-5:30pm; Pacific Salon 6-7.

Committee on Transmissible Diseases of Swine

Chair: Mark J. Engle, TN

Vice Chair: Harry Snelson, NC

Paul L. Anderson, MN; Marianne Ash, IN; Lisa Becton, IA; Carter Black, GA; Philip E. Bradshaw, IL; Becky L. Brewer-Walker, OK; Corrie C. Brown, GA; Tom Burkgren, IA; Jon D. Caspers, IA; Max E. Coats, Jr., TX; Jim E. Collins, MN; Fred L. Cunningham, MS; Effingham Embree, Jr., IL; Gene A. Erickson, NC; James M. Foppoli, HI; Nancy A. Frank, MI; Cyril G. Gay, MD; Michael J. Gilsdorf, MD; Jennifer L. Greiner, DC; Thomas J. Hagerty, MN; Edwin C. Hahn, IL; Rod Hall, OK; Greg N. Hawkins, TX; Michael E. Herrin, OK; Sam C. Hines, MI; Sam D. Holland, SD; Rex D. Holt, GA; Ken Horton, TX; Melissa A. Justice, IN; Marcus E. Kehrli, Jr., IA; Elizabeth A. Lautner, IA; James W. Leafstedt, SD; Donald H. Lein, NY; Tsang Long Lin, IN; Bret D. Marsh, IN; David T. Marshall, NC; Chuck E. Massengill, MO; James D. McKean, IA; David A. Nolan, KS; Sandra K. Norman, IN; Gary D. Osweiler, IA; Kerry Peterson, IN; Kristine R. Petrinii, MN; Tom Ray, NC; Mo D. Salman, CO; David D. Schmitt, IA; Rick L. Sibbel, IA; Dennis Slate, NH; James E. Stocker, NC; Paul L. Sundberg, IA; Seth R. Swafford, CO; Paul O. Ugstad, NC; Patrick Webb, IA; Margaret A. Wild, CO; Larry L. Williams, NE; George O. Winegar, MI; Nora E. Wineland, CO; Paul Yeske, MN.

Committee Meeting – Tuesday, 12:30-5:30pm; Royal Palm 2-3-4.

Committee on Tuberculosis

Chair: Kathleen M. Connell, WA

Vice Chair: Michael S. VanderKlok, MI

John B. Adams, VA; Bruce L. Akey, NY; Wilbur B. Amand, PA; Robert D. Angus, ID; Matthew M. Ankney, MI; Joan M. Arnoldi, IL; Daniel R. Baca, TX; Lowell R. Barnes, IN; Bill Barton, ID; Derek J. Belton, ; Warren Bluntzer, TX; Nathan J. Boehm, ND; Bob H. Bokma, MD; Steven R. Bolin, MI; Richard E. Breitmeyer, CA; Becky L. Brewer-Walker, OK; Shane A. Brookshire, GA; Charles E. Brown, II, WI; Charles S. Brown, NC; Mike Chaddock, DC; John R. Clifford, DC; Michael L. Coe, UT; Thomas F. Conner, OH; Walter E. Cook, WY; Ed Corrigan, WI; Daniel T. Crowell, NV; Donald S. Davis, TX; Thomas J. DeLiberto, CO; Jere L. Dick, DC; Anthony A. DiMarco, ME; Leah C. Dorman, OH; Phil T. Durst, MI; Michael T. Dutcher, WI; Reta K. Dyess, TX; Anita J. Edmondson, CA; Leonard E. Eldridge, WA; Dee B. Ellis, TX; Steven R. England, NM; Donald E. Evans, KS; Mac Farnham, MN; John R. Fischer, GA; Dave E. Fly, NM; James M. Foppoli, HI; W. Kent Fowler, CA; Nancy A. Frank, MI; Bob Frost, CA; Tam Garland, TX; Michael J. Gilsdorf, MD; Linda Glaser, MN; Velmar Green, MI; Jennifer L. Greiner, DC; Thomas J. Hagerty, MN; Steven L. Halstead, MI; Timothy J. Hanosh, NM; Beth Harris, IA; William L. Hartmann, MN; Del E. Hensel, CO; Bob R. Hillman, TX; E. Ray Hinshaw, AZ; Donald E. Hoenig, ME;

2009 USAHA Committees (cont.)

Sam D. Holland, SD; James H. Hollis, IN; Dennis A. Hughes, NE; John P. Huntley, NY; Billy G. Johnson, AR; Jon G. Johnson, TX; Shylo R. Johnson, CO; John B. Kaneene, MI; Susan J. Keller, ND; Karl G. Kinsel, TX; Paul Kohrs, WA; Carolyn Laughlin, OH; Steve K. Laughlin, OH; John C. Lawrence, ME; Maxwell A. Lea, Jr., LA; Rick Linscott, ME; Sharon L. Lombardi, NM; Konstantin Lyashchenko, NY; Stephen Maddox, CA; Phillip M. Mamer, ID; Daniel M. Manzanara, NM; Bret D. Marsh, IN; Chuck E. Massengill, MO; John Maulsby, CO; Paul J. McGraw, WI; Robert G. McLean, CO; Robert M. Meyer, CO; Andrea Mikolon, CA; Susan K. Mikota, TN; Tom L. Mikulka, ME; Michele A. Miller, FL; Ernie A. Morales, TX; Henry I. Moreau, LA; Jeffrey T. Nelson, IA; Pauline Nol, CO; Dustin P. Oedekeoven, SD; Bruno Oesch, ; Kenneth E. Olson, IL; Kathleen A. Orloski, CO; Mitchell V. Palmer, IA; Elizabeth J. Parker, DC; Janet B. Payeur, IA; Kristine R. Petrinii, MN; Michael R. Pruitt, OK; Jeanne M. Rankin, MT; Chris V. Rathe, WA; Anette Rink, NV; Nancy J. Robinson, MO; Earl Rogers, UT; Enrique A. Salinas, COA; Mo D. Salman, CO; Bill Sauble, NM; Shawn P. Schafer, ND; Galen H. Schalk, MI; David D. Schmitt, IA; Dennis L. Schmitt, MO; Stephen M. Schmitt, MI; Andy L. Schwartz, TX; Charly Seale, TX; Sarah B. S. Shapiro Hurley, WI; R. Flint Taylor, NM; George A. Teagarden, KS; Cleve Tedford, TN; Tyler C. Thacker, IA; David Thain, NV; Charles O. Thoen, IA; Lee Ann Thomas, MD; Kenneth J. Throlson, ND; Paul O. Ugstad, NC; Jesse L. Vollmer, ND; Ray Waters, IA; Scott J. Wells, MN; Jay Whetten, AZ; Diana L. Whipple, IA; Dave Whittlesey, CO; Richard D. Willer, HI; Brad L. Williams, TX; Kyle W. Wilson, TN; Mark D. Wilson, FL; Ross Wilson, TX; George O. Winegar, MI; Josh L. Winegarner, TX; David W. Winters, TX; Jill Bryar Wood, TX; John F. Wortman, Jr., NM; Ching-Ching Wu, IN; Glen L. Zebarth, MN.

Committee Meeting – Tuesday, 8:00am-5:30pm; Town and Country.

Scientific Advisory Subcommittee on Tuberculosis – 1:00-6:00pm; Royal Palm 5-6.

Time Specific Papers Committee on Tuberculosis

11:00am - Response of Sensitized Elk to Single Cervical Tuberculin (SCT) and Comparative Cervical Tuberculin (CCT) Tests - Shylo Johnson, USDA, APHIS

2:00pm - Differential Gene Expression Study of Bovine TB-Positive Cattle and Bovine TB Test-false Positive Cattle in Michigan – Ailam Lim and Steve Bolin, Michigan State University

Committee on Wildlife Diseases

Chair: Stephen M. Schmitt, MI

Vice Chair: Colin M. Gillin, OR

Wilbur B. Amand, PA; Gary A. Anderson, KS; Neil J. Anderson, MT; Robert D. Angus, ID; Marianne Ash, IN; Mark W. Atkinson, NV; Daniel R. Baca, TX; Scott C. Bender, AZ; Warren Bluntzer, TX; Charles S. Brown, NC; Kristina Brunjes, KY; Walter E. Cook, WY; Joseph L. Corn, GA; Todd Cornish, WY; Daniel T. Crowell, NV; Donald S. Davis, TX; Thomas J. DeLiberto, CO; Mark L. Drew, ID; Tim J. Feldner, MT; John R. Fischer, GA; Richard A. French, NH; Bob Frost, CA; Frank D. Galey, WY; Robert F. Gerlach, AK; Paul Gibbs, FL; Linda Glaser, MN; Dean E. Goeldner, MD; Greg N. Hawkins, TX; Robert Hilsenroth, FL; Donald E. Hoenig, ME; Sam D. Holland, SD; David L. Hunter, MT; Sherman W. Jack, MS; Kevin Keel, GA; Susan J. Keller, ND; Suzanne Kennedy-Stoskopf, NC; Karl G. Kinsel, TX; Patrice N. Klein, MD; Terry J. Kreeger, WY; Carolyn Laughlin, OH; Steve K. Laughlin, OH; Jim R. Logan, WY; Phillip M. Mamer, ID; David T. Marshall, NC; Chuck E. Massengill, MO; Leslie A. McFarlane, UT; Robert G. McLean, CO; Daniel G. Mead, GA; Robert M. Meyer, CO; Michele A. Miller, FL; Pauline Nol, CO; Mitchell V. Palmer, IA; Glenn E. Plumb, WY; Jewell G. Plumley, WV; Michael R. Pruitt, OK; Chris V. Rathe, WA; Anette Rink, NV; Thomas J. Roffe, MT; Emi K. Saito, CO; A. David Scarfe, IL; Shawn P. Schafer, ND; David D. Schmitt, IA; Dennis L. Schmitt, MO; Sarah B. S. Shapiro Hurley, WI; Jonathan M. Sleeman, WI; David E. Stallknecht, GA; Joe Starcher, WV; Seth R. Swafford, CO; Cynthia M. Tate, WY; Cleve Tedford, TN; Robert M. S. Temple, OH; Charles O. Thoen, IA; Lee Ann Thomas, MD; Brad Thurston, IN; Kenneth Waldrip, TX; Rick L. Wallen, WY; Diana L. Whipple, IA; Dave Whittlesey, CO; Margaret A. Wild, CO; Richard D. Willer, HI; George O. Winegar, MI; David W. Winters, TX; Richard W. Winters, Jr., TX; Cindy B. Wolf, MN; Jill Bryar Wood, TX; Taylor H. Woods, MO; Scott D. Wright, WI; Marty A. Zaluski, MT; Glen L. Zebarth, MN.

Committee Meeting – Tuesday, 8:00am-12:00pm; Royal Palm 2-3-4.

AAVLD Exhibitors

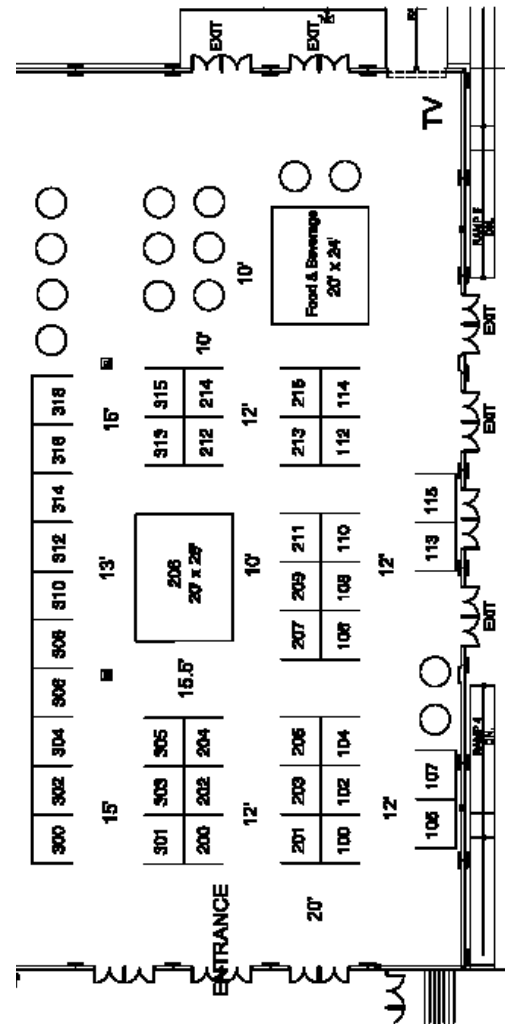
Booth	Exhibitor
100	Applied BioSystems - Animal Health
104	Quality Systems Integrators
105	Inverness Medical Professional Diagnostics
106	Prionics USA, Inc.
107	Computer Aid, Inc.
108	CDC/EPI-X
110	VETQAS (Veterinary Laboratories Agency)
114	Synbiotics Corporation
115	Feedbackstat
200	IDEXX Laboratories
201	TREK Diagnostic Systems
203	Ventana Medical Systems, Inc.
204	National Institute for Animal Agriculture
205	Automated Technologies Inc. (ATI)
206	Qiagen, Inc.
207	Centaur, Inc.
209	Global Vet Link
211	NCE-Crawford-Emcotek
212	Smiths Detection Diagnostics
213	Tetracore, Inc.
214	VMRD, Inc.
215	Hydrol-Pro Technologies, Inc.
300	ITL Animal Health Care
301	Bio-Rad Laboratories
303	Merrick and Company
305	Advanced Technology Corp. VADDS
306	BioGX
308	Advanced Animal Diagnostics (Entira)
310	Fort Supply and Technologies, LLC
313	Enfer Diagnostics
314	BioSAFE Engineering, LLC
315	Biosearch Technologies, Inc.
316	FBI - Laboratory Division
318	Luminex Corporation

AAVLD Exhibit Floor Plan

Town and Country Resort & Convention Center

Grand Exhibit Hall

October 10-11, 2009



Grand Hall Foyer

Exhibit Hours

Saturday: 11:00am-1:00pm • 3:00pm-6:00pm

Sunday: 9:45am-10:45am • Noon-2:00pm

Lunch concessions in Exhibit Hall both days

Future USAHA/AAVLD Annual Meetings

November 11-17, 2010
Minneapolis, Minnesota
Minneapolis Hilton Hotel

September 29-October 5, 2011
Buffalo, New York
Buffalo Adam's Mark Hotel

October 17-24, 2012
Greensboro, North Carolina
Sheraton Greensboro Hotel

Thanks to the 2009 Sponsors:

Applied BioSystems Animal Health

AthoGen

Bio-Rad Laboratories

Charles River Research Animal Diagnostic Services

Colorado Serum Company

Computer Aid, Inc.

Global Animal Management

GlobalVetLink, LC

IDEXX Laboratories

Integrated Nano Technologies

Merial

Merrick and Company

Prionics, USA

Reindeer Owners and Breeders Association

Safe Supply of Affordable Food Everywhere

TREK Diagnostic Systems

Ventana Medical Systems, Inc.